

NOTES:

A. INSTALLATION INSTRUCTIONS:

1. DRILL OR PUNCH INSTALLATION HOLE.
2. PLACE FERRULE INTO INSTALLATION HOLE.
3. PROVIDE SOLID BACK-UPBEHIND HOLE WITH CLEARANCE HOLE FOR STUD.
4. PRESS ON HEAD OF STUD UNTIL SHOULDER OF FERRULE IS FIRMLY AGAINST OUTER PANEL.
RECOMMENDED LOAD OF 8,000 N FOR STEEL, R_b<60. RECOMMENDED LOAD OF 5,000 N FOR 5052-H32 ALUMINUM.
5. PUNCH CANNOT TOUCH PLASTIC DURING INSTALLATION.

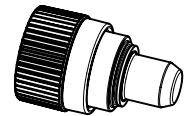
B. MATERIAL AND FINISH:

FERRULE AND END CAP: STEEL, ZINC PLATE PLUS SEALER.
 SPRING: STAINLESS STEEL, PASSIVATED (NOT SHOWN)
 STUD: HARDENED STEEL, ZINC PLATE PLUS SEALER.
 KNOB: PC/ABS UL94 V0 RATED, FLAME RETARDANT;
 TRIARYLPHOSPHATE (DOES NOT CONTAIN BROMINATED, CHLORINATED,
 OR HALOGENATED ADDITIVES).

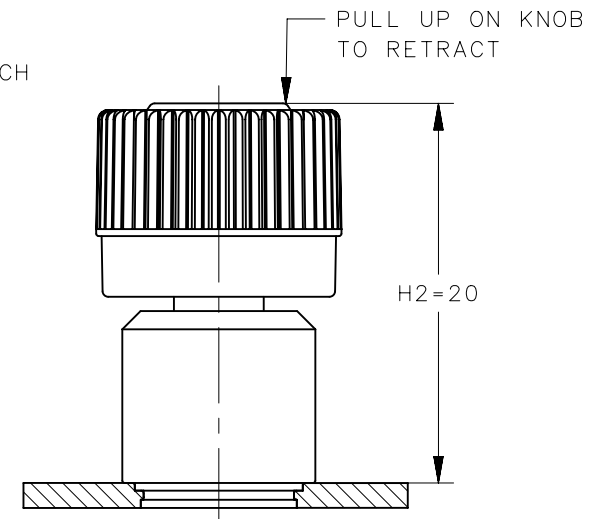
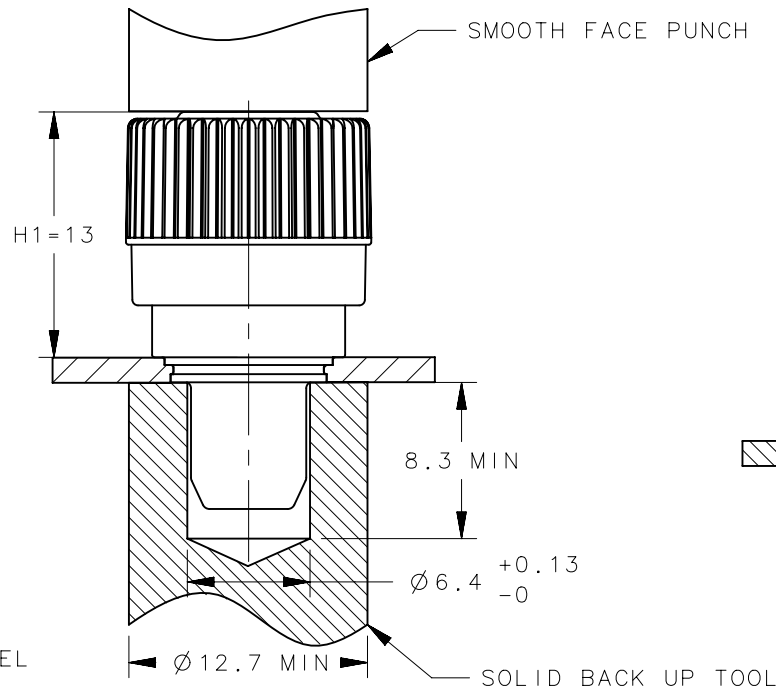
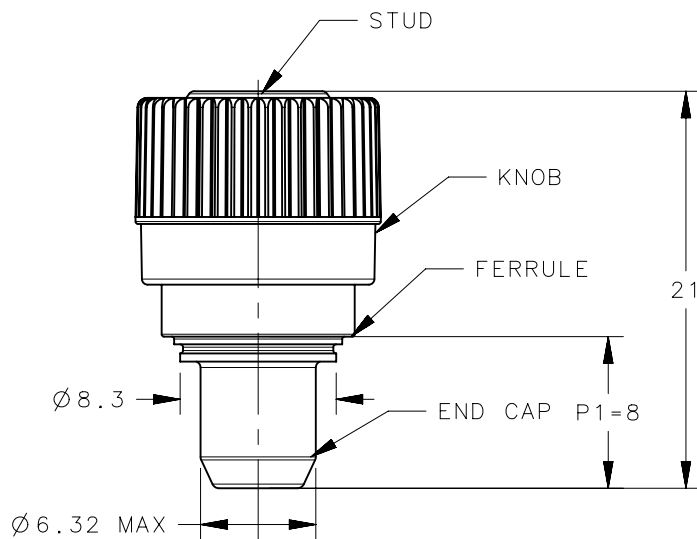
C. PARTS SHIPPED BULK.

D. RoHS COMPLIANT.

REVISION HISTORY			
REV	DATE	BY	DESCRIPTION
C	03NOV2015	MAL/JQ	PRN: P2015-2208



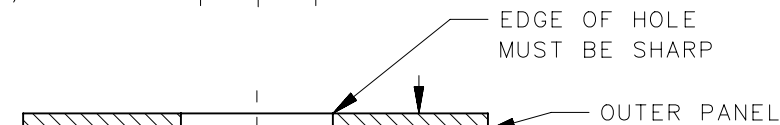
SCALE 1:1



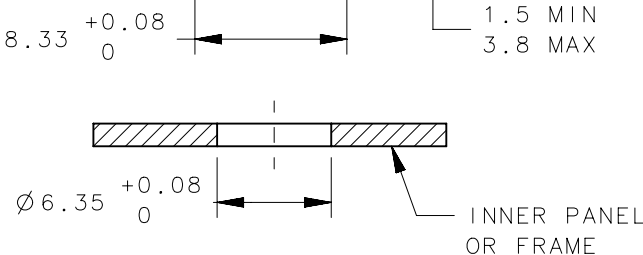
RETRACTED

"EEE" KNOB COLOR
 -000 BLACK
 SEE J-47-0-3 FOR
 DETAILS

56-360-EEE
 PART NUMBER



RELEASED



PANEL PREPARATION

	THIRD ANGLE PROJECTION			southco [®] CONNECT • CREATE • INNOVATE	
	MILLIMETERS [IN]				
SURFACE AREA	TOLERANCES UNLESS OTHERWISE NOTED	DESCRIPTION		56 SMALL PLUNGER	
VOLUME	ALL DIMENSIONS WITHOUT TOLERANCES ARE FOR REFERENCE ONLY.	PRESS-IN, 4C KNOB OVERMOLD, NON STAY OPEN		DWG NO. J-56-360-EEE	
PROPRIETARY ITEM	PER ASME Y14.5M-1994	SIZE A4	SYSTEM NX	DRAWN BY MAL/JQ	DATE 06JUL2015
EXCEPT FOR USES EXPRESSLY GRANTED IN WRITING, INFORMATION DISCLOSED HEREON IS CONFIDENTIAL AND ALL RIGHTS, PATENT AND OTHERWISE, ARE RESERVED BY SOUTHCO, INC.				SCALE 5:2	SHEET 1 OF 1