



E3 VISE ACTION® Compression Latch

Stainless steel housing · Tool operated

Visual indicator of latch status · Fixed or adjustable grip · 19.1mm size

- Feature indicates when latch is open
- Consistent pre-set compression
- Premium finish
- Corrosion resistance
- Tool operated for security
- EN 45545-3 E60 Compliant

Material and Finish

Stainless steel 304 and 316

Performance Details

Compression: 6.4 mm (.25 in)

Adjustable Grip: Maximum static load: 450 N (100 lbf)

Fixed Grip: Maximum static load: 450 N (100 lbf)

Sealing Notes

NEMA 4 and IP66/IP67 enabled by using supplied flange gasket

Installation Notes

Recommended tightening torque for the mounting nut is 20 N·m (176 in·lbf).

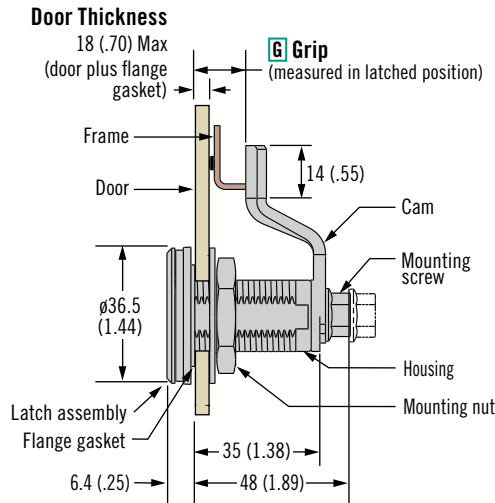
Adjustable Grip: Position cam so latching function can be achieved comfortably by hand.

Fixed Grip: Mounting screw torque 10 Nm (88 in lbf)

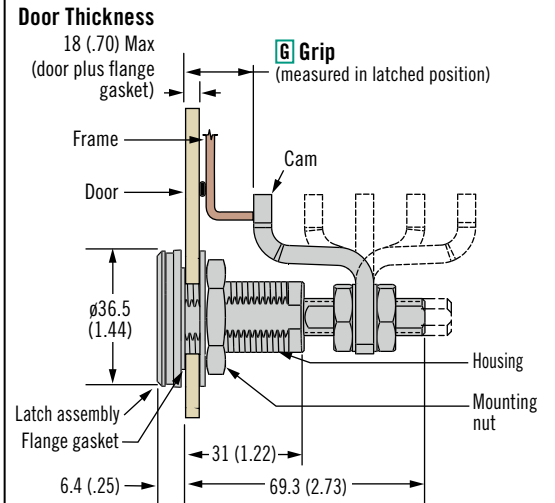
Keys and Accessories

See pages 118-121

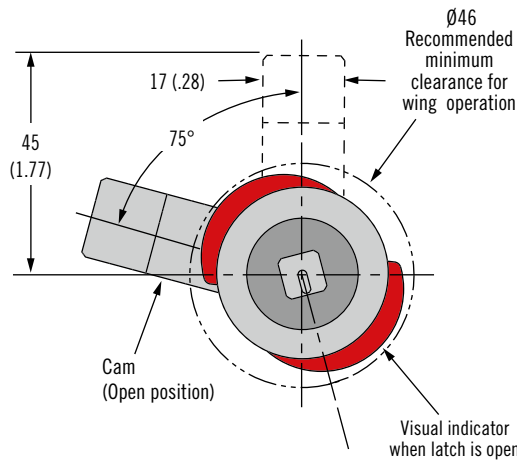
FIXED GRIP



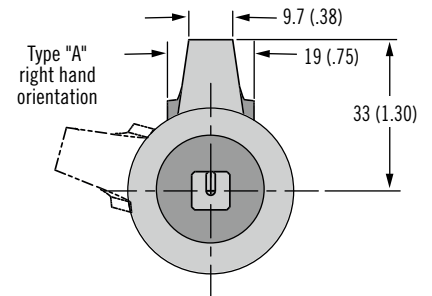
ADJUSTABLE GRIP



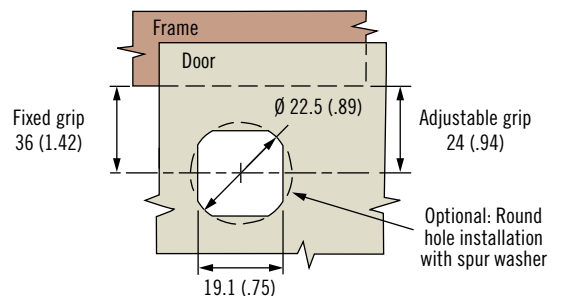
Latch Open

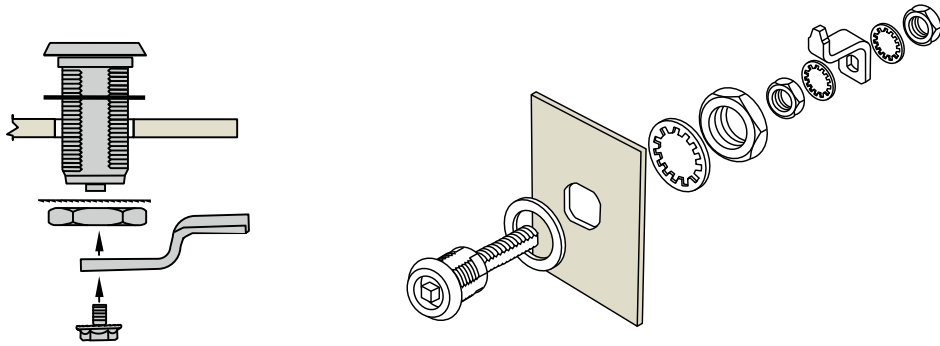


Latch Closed

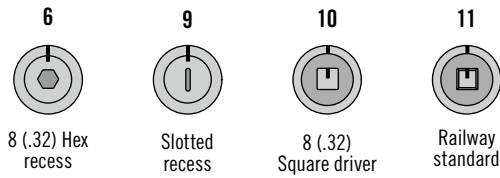


Make Safety Visible™
by Southco



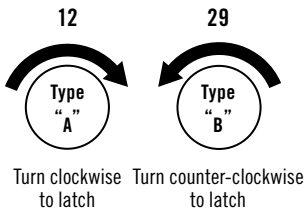


H Head Styles



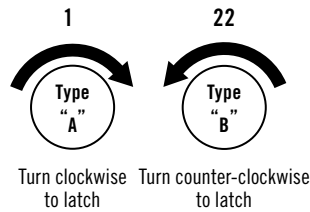
FIXED GRIP

R Rotation



ADJUSTABLE GRIP

R Rotation



E3 - A R H - UU2

E3 - A R H - 02

Part Number Selection

See table
Order Latch and Cam separately
Select grip from Cam table.
For Fixed Grip, if your grip is between two options choose the smaller grip

Cam Part Number (order separately from latch)			
Grip	Part Number	Grip	Part Number
15 (.59)	E3-28-700-24	35 (1.38)	E3-28-710-24
17 (.67)	E3-28-701-24	37 (1.46)	E3-28-711-24
19 (.75)	E3-28-702-24	39 (1.53)	E3-28-712-24
21 (.83)	E3-28-703-24	41 (1.61)	E3-28-713-24
23 (.91)	E3-28-704-24	43 (1.69)	E3-28-714-24
25 (.98)	E3-28-705-24	45 (1.77)	E3-28-715-24
27 (1.06)	E3-28-706-24	47 (1.85)	E3-28-716-24
29 (1.14)	E3-28-707-24	49 (1.93)	E3-28-717-24
31 (1.22)	E3-28-708-24	51 (2.01)	E3-28-718-24
33 (1.30)	E3-28-709-24	53 (2.09)	E3-28-719-24

Cam Part Number (order separately from latch)			
Minimum Grip	Maximum Grip	Cam Type	Part Number
11.4 (.45)	27.2 (1.07)	Deep offset cam, forward	E3-28-201-24
66.3 (2.61)	76.2 (3.00)	Deep offset cam, reversed	
25.4 (1.00)	41.1 (1.62)	Offset cam, forward	E3-28-202-24
52.6 (2.07)	68.3 (2.69)	Offset cam, reversed	
38.9 (1.53)	54.6 (2.15)	Straight cam	E3-28-203-24

