

OJOP SWEDEN is well known in the industrial community for catches. Over the decades we have studied market demands and built up our products to the highest quality, service, and delivery demands.

Our business idea is to supply industrial companies with the highest quality catches possible. A component which enables quick mounting and dismantling of various elements. The strength and function of our catches is adapted to the demand for permanent installation.

Our objective with this new catalogue is to give the best possible technical information to the commercial and industrial trade, and particularly to the designers.

Today our product range includes three main groups of catches: the 700-series, the 900-series, and the 100-500 series.

Our product program

700-series

Manufactured in pressed steel, **Utility type**, and the most popular catch. A strong and functional catch.

Pages 4 – 15

900-series

Modern Swedish design, fully closed, technically interesting, with friction screw, one hand operation, space saving.

Pages 16 – 20

100-500-series

The ideal catch **for rugged environments**. Shock resistant. Extra strength. Made of drop forged steel. **Our speciality**.

Pages 21 – 30

Standard material and surface finish

Due to the need for varying requirements we can offer special finishes such as yellow,- green,- or black- chromated, fasteners with bands, curved mounting-plates, extended fasteners etc...

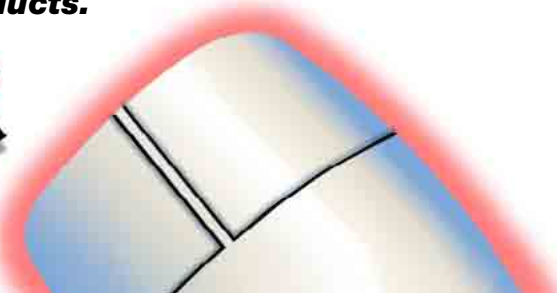
When you order please state the following:

Raw finish without mounting holes is Code **A**. For example, **702 A** without mounting holes and no zinc-plating, is made for **Welding**.

Zinc-plated and with mounting holes is Code **C**. For example, **702 C** with Zinc-plating and countersunk mounting holes.

We manufacture all components used in our products.

Down-load your **OJOP-SWEDEN Auto-CAD** directly from our home page www.ojopsweden.se



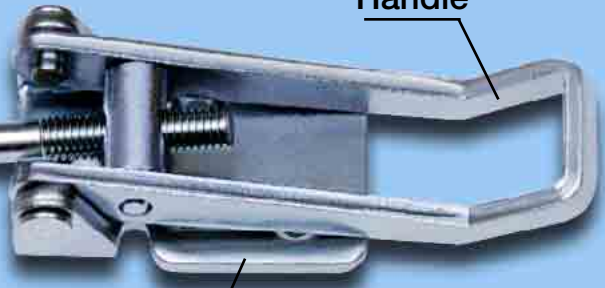
Striker



Screw-loop



Handle



Mounting plate

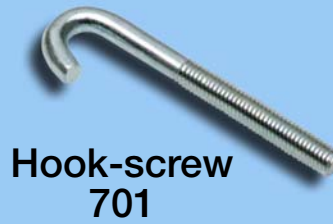


Series	Material	Zinc-plated 12 microns	Stainless AISI 316	Finish
700	Cold-rolled steel Hot-rolled steel	x	x	Electrolytic brightening
900	Cold-rolled steel	x	x	
100-500	Drop forged steel	x	400-500-catches	Electrolytic brightening

701



701 S/C



Hook-screw
701



701 L/C



T-screw 701

Strikers
15, 18 or 30



Strikers
14 or 50



Striker
49



Strikers,
see pages: 31–36

Combinations		Capacity			Weight	
Catch	Striker	Recommended maximum load			Weight per 100 pcs.	
		Kp	N	Pounds	Kilos	Pounds
701 S/C	15, 30, 49, 50	100	981	220	3,6	7.9
701 TS/C	14, 18	200	1962	440	3,3	7.3
701 HS/C	–	100	981	220	3,2	7.0
701 L/C	15, 30, 49, 50	100	981	220	4,1	9.0
701 TL/C	14, 18	200	1962	440	3,8	8.4
701 HL/C	–	100	981	220	3,7	8.1

701 TS

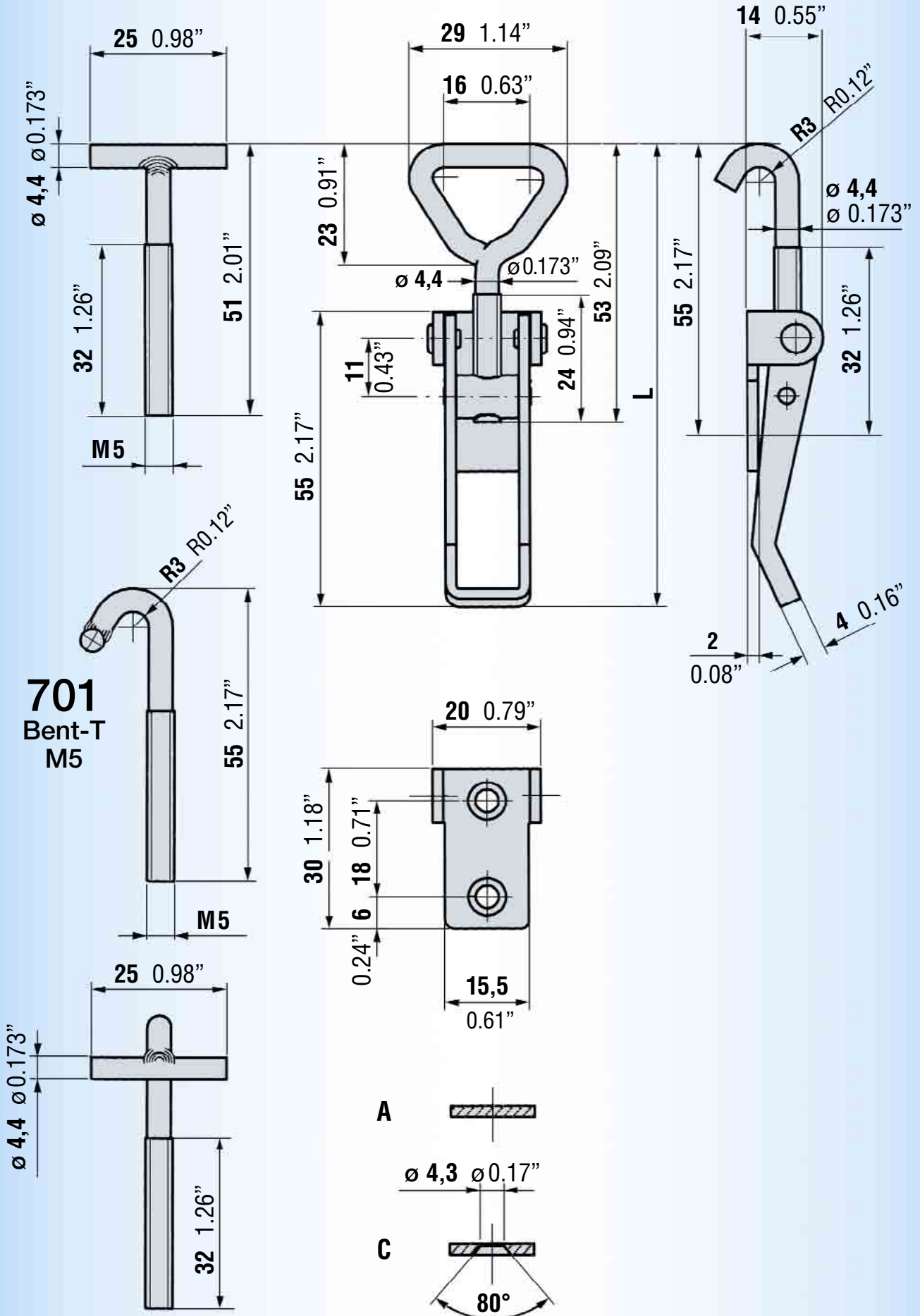
L = 77-88 2.68"-3.46"

701 S

L = 77-88 3.03"-3.46"

701 HS

L = 75-90 2.95"-3.54"



701 TL

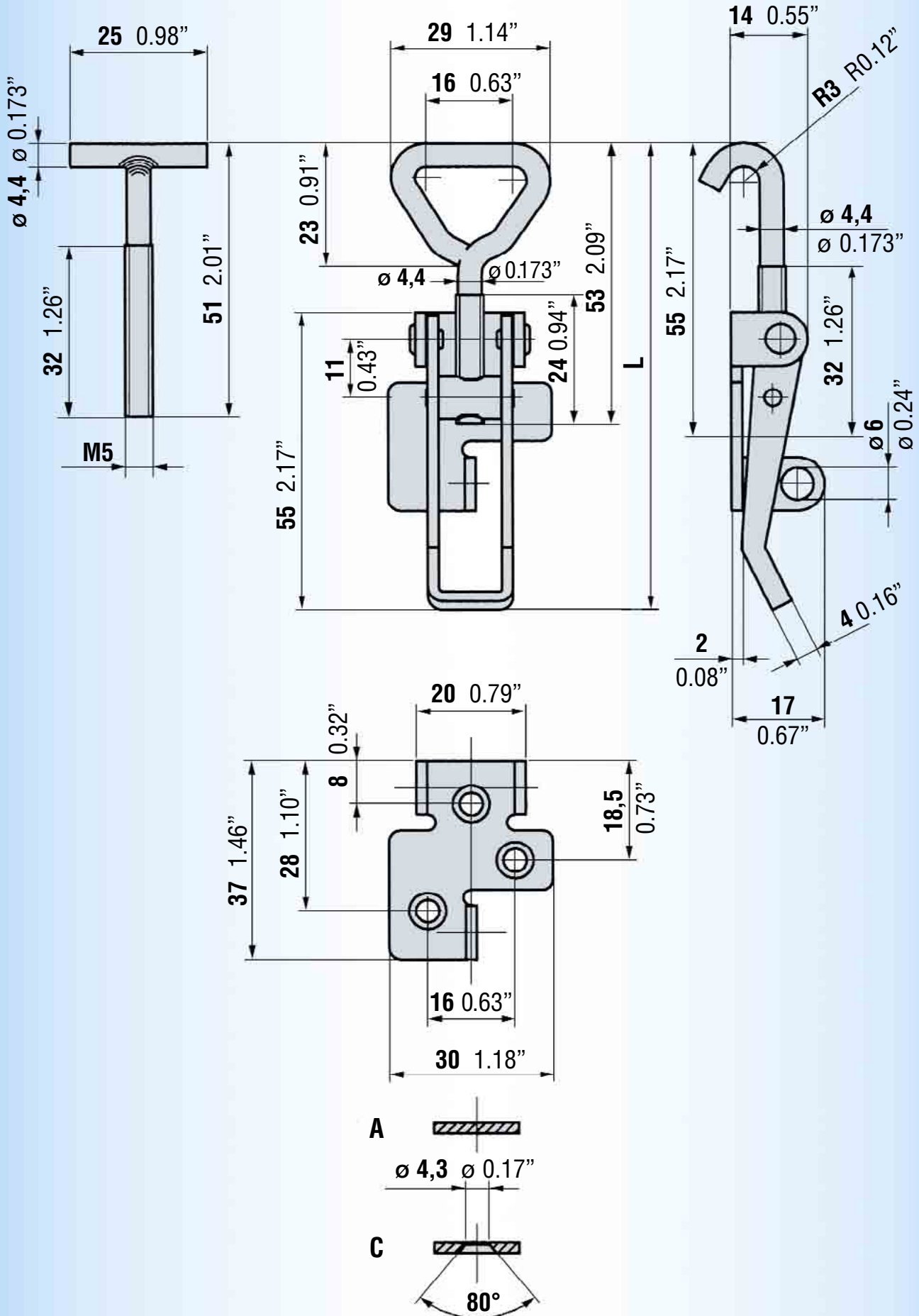
L = 82-88 3.23"-3.46"

701 L

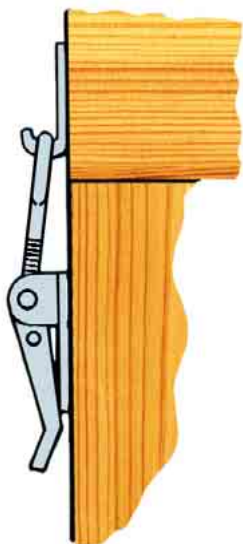
L = 82-88 3.23"-3.46"

701 HL

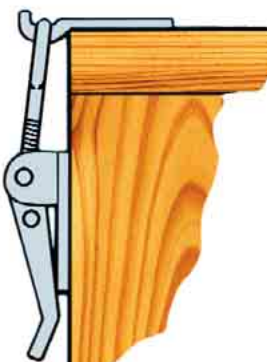
L = 84-90 3.31"-3.54"



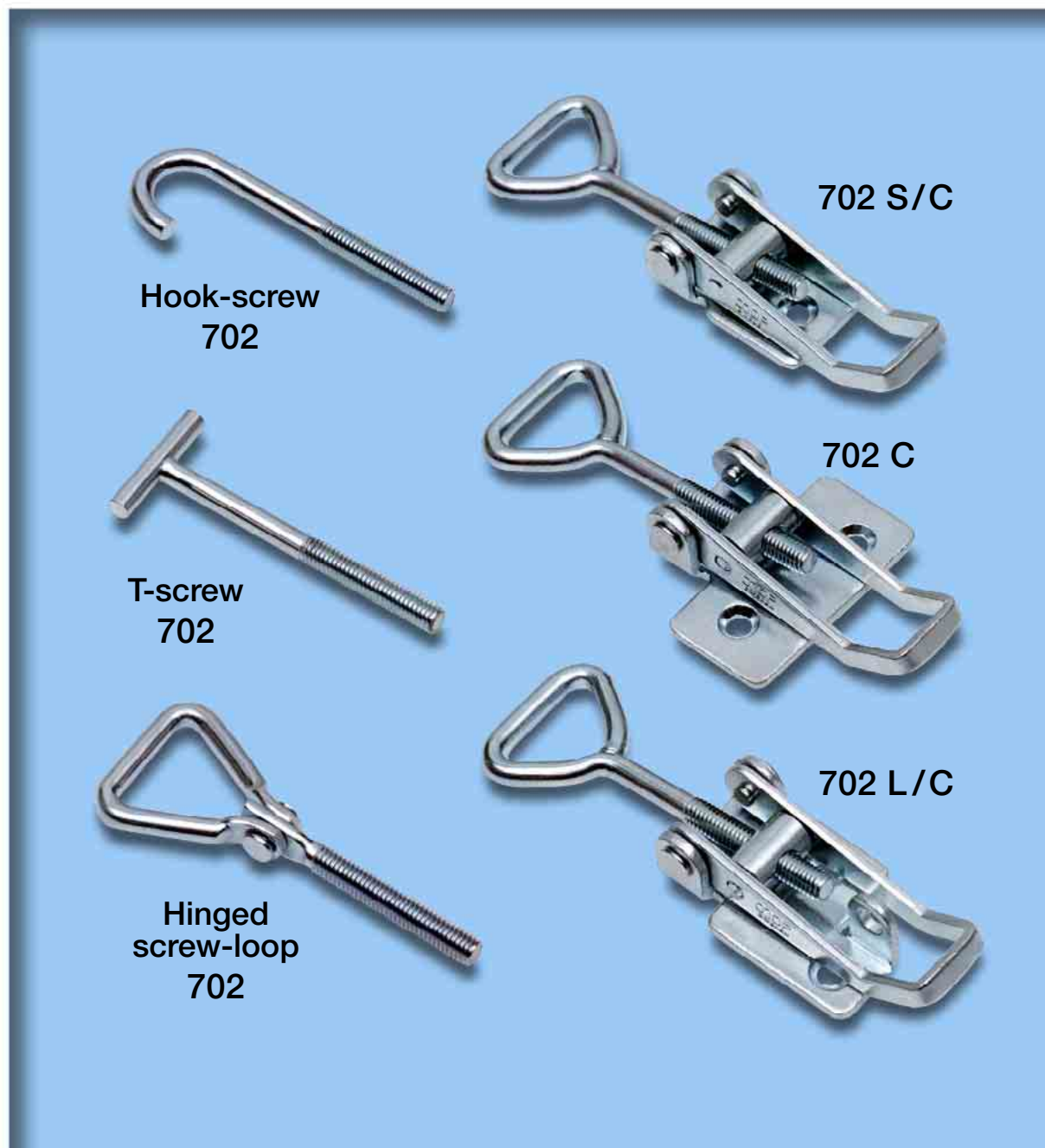
Strikers
19 or 31



Strikers
10 or 14



Strikers,
see pages: 31–36

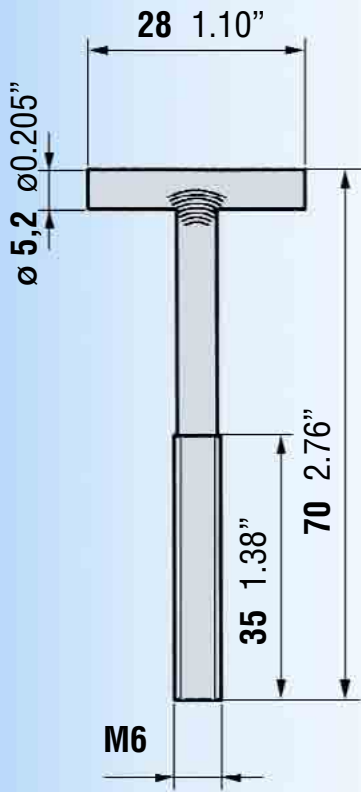


Combinations		Capacity			Weight	
Catch	Striker	Recommended maximum load			Weight per 100 pcs.	
		Kp	N	Pounds	Kilos	Pounds
702 S/C	10, 31	300	2943	660	7,2	15.9
702 TS/C	14, 19	400	3924	881	6,7	14.8
702 HS/C	–	100	981	220	6,6	14.5
702 S/C Hinged	10, 31	250	2452	550	7,5	16.5
702 L/C	10, 31	300	2943	660	8,0	17.6
702 TL/C	14, 19	400	3924	881	7,4	16.3
702 HL/C	–	100	981	220	7,3	16.1
702 L/C Hinged	10, 31	250	2452	550	8,3	18.3
702 C	10, 31	300	2943	660	8,4	18.5
702 T/C	14, 19	400	3924	881	7,8	17.2
702 H/C	–	100	981	220	7,7	17.0
702 C Hinged	10, 31	250	2452	550	8,6	18.9



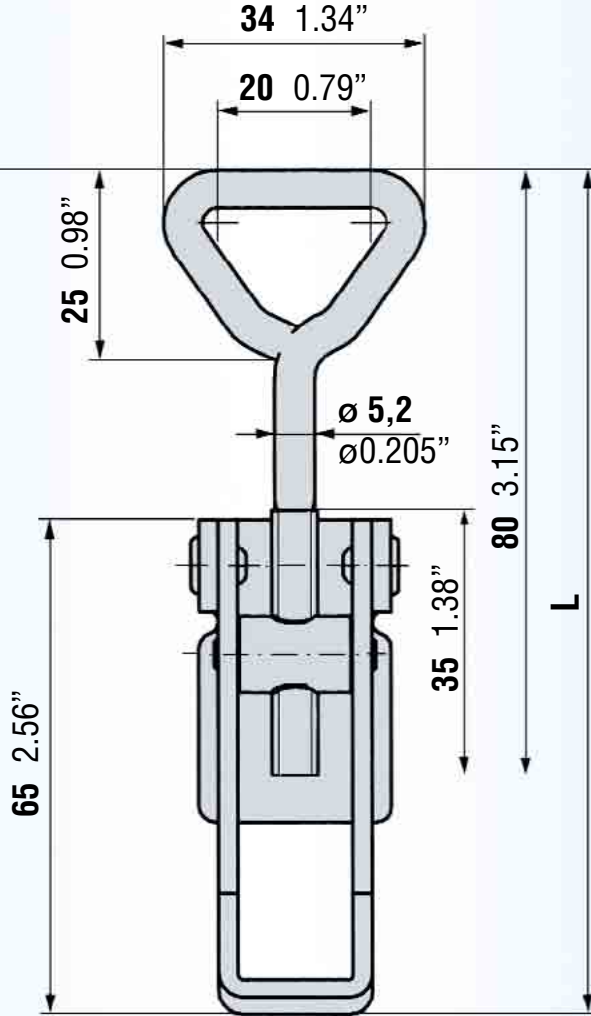
702 TS

L = 94-112 3.46"-4.41"



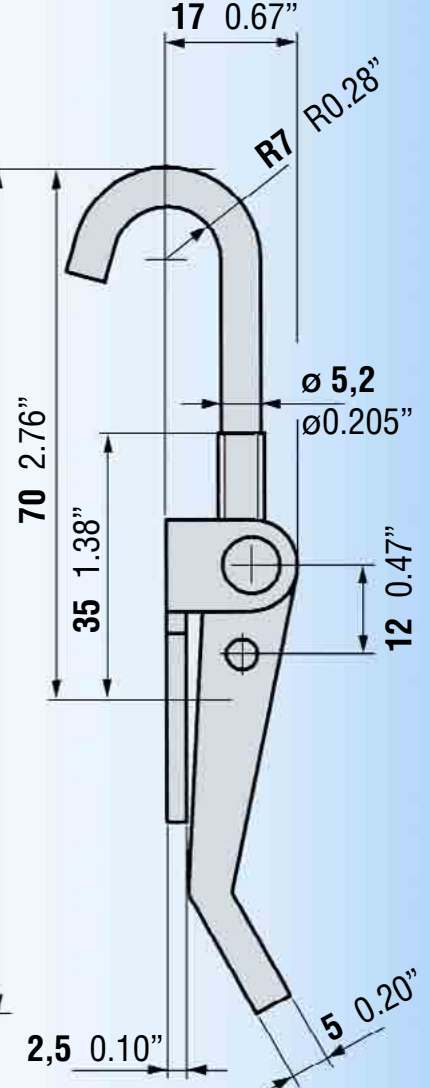
702 S

L = 98-122 3.86"-4.80"



702 HS

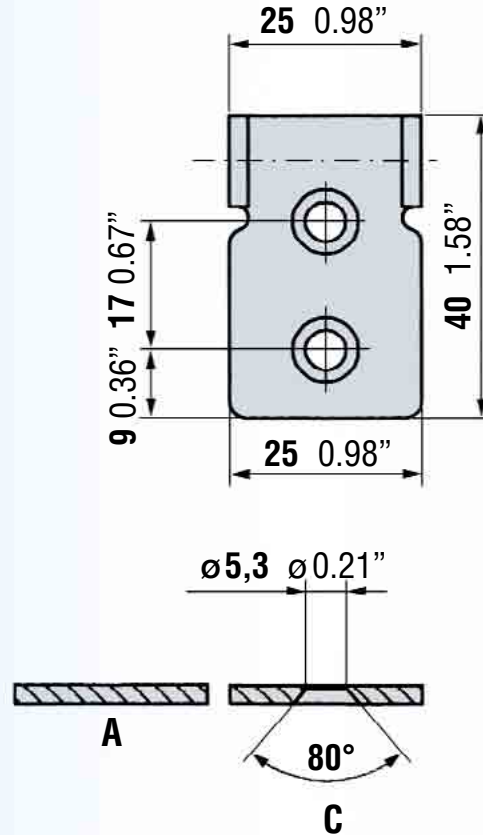
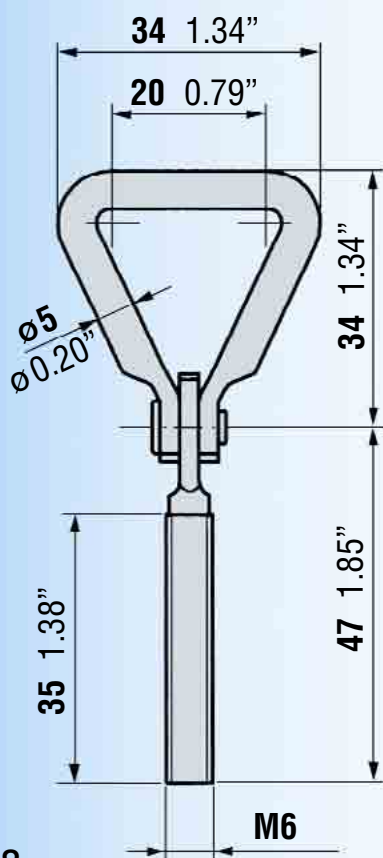
L = 88-112 3.46"-4.41"



702 S

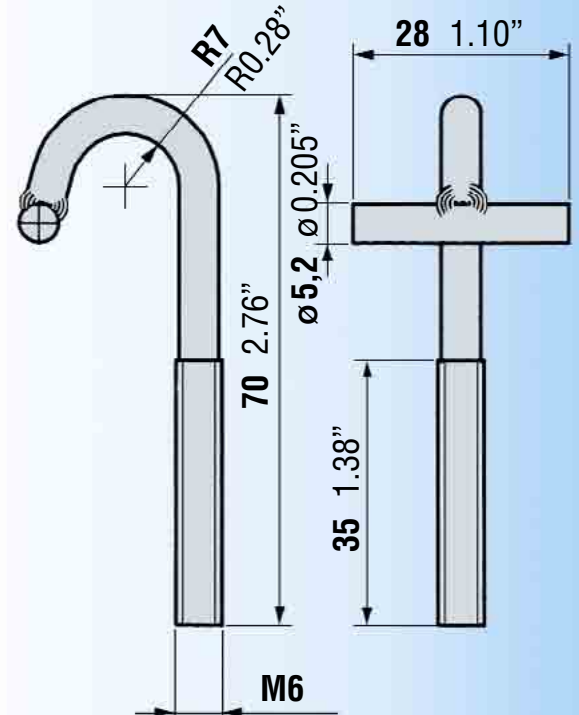
Hinged screw-loop

L = 98-122 3.86"-4.80"



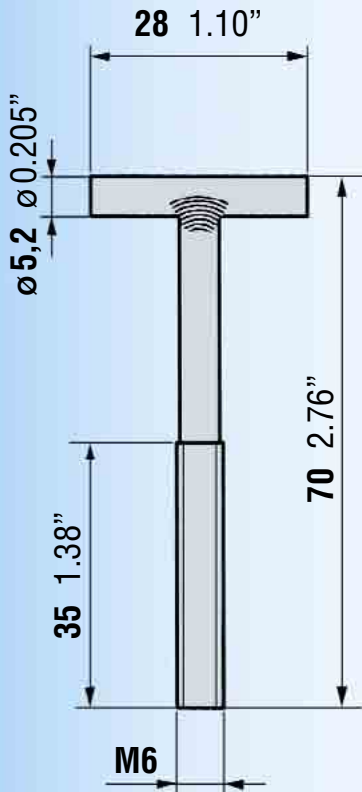
702

Bent-T M6



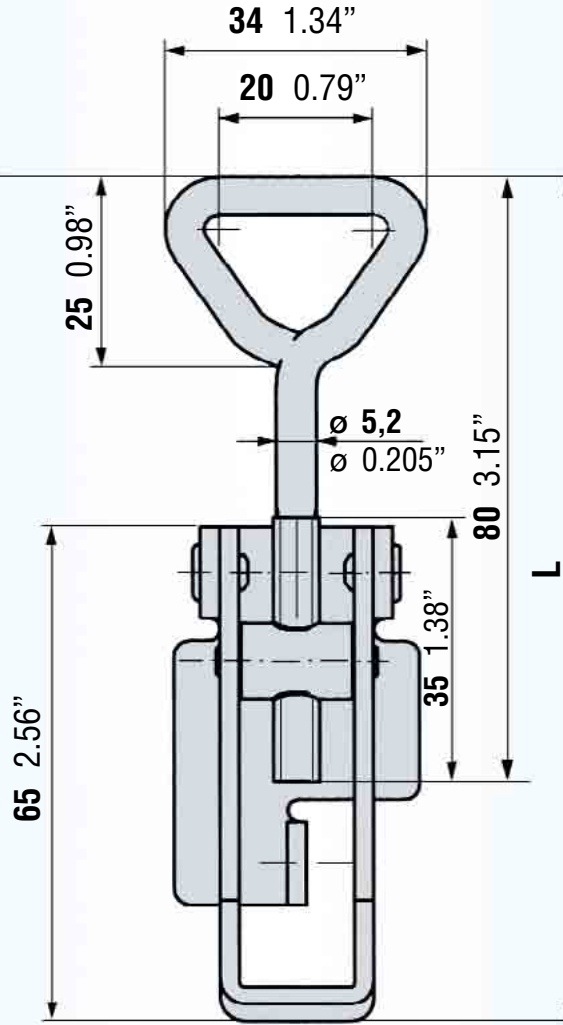
702 TL

L = 98-112 3.86"-4.41"



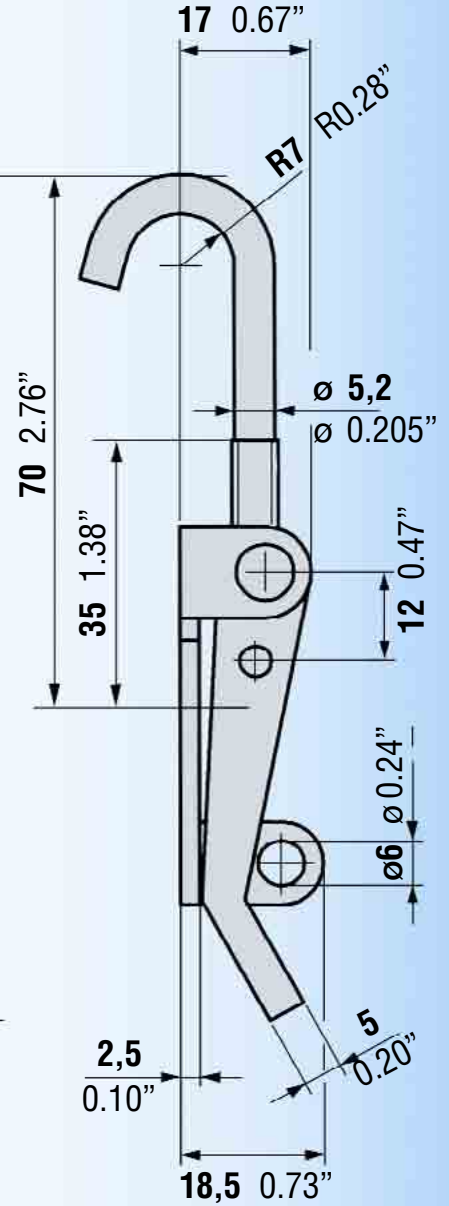
702 L

L = 107-122 4.21"-4.80"



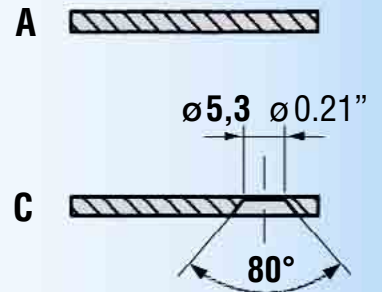
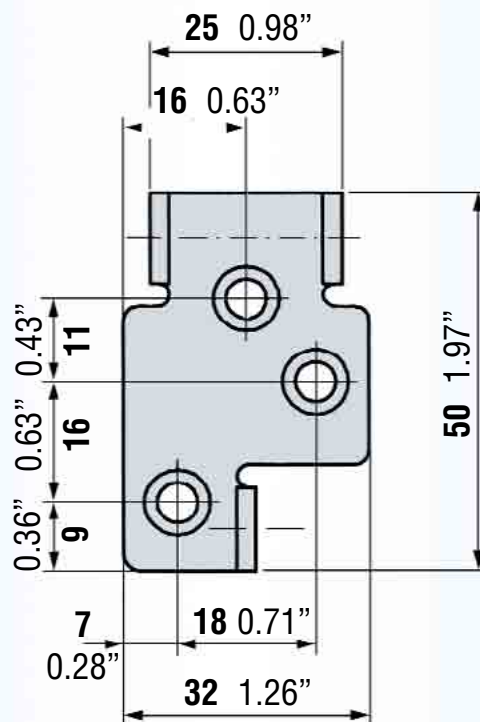
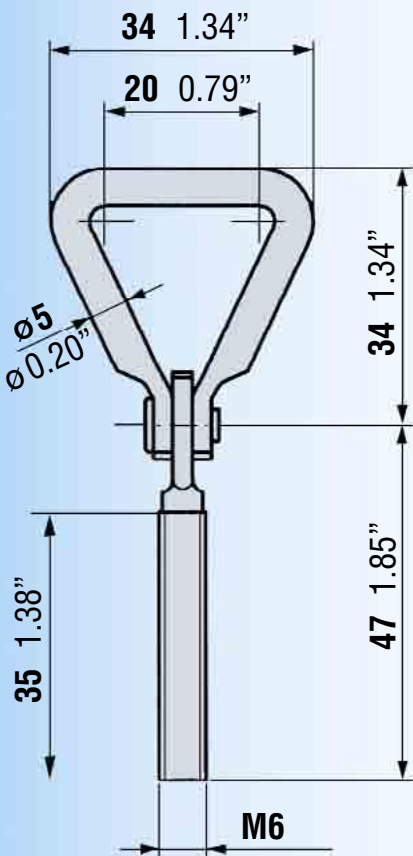
702 HL

L = 98-112 3.86"-4.41"



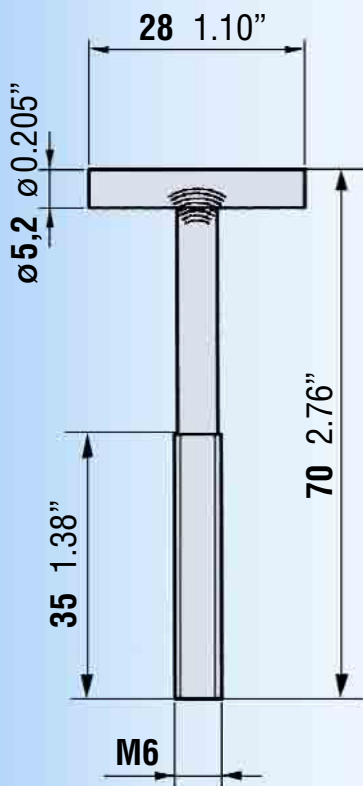
702 L

Hinged screw-loop
L = 108 - 122 4.25"-4.80"



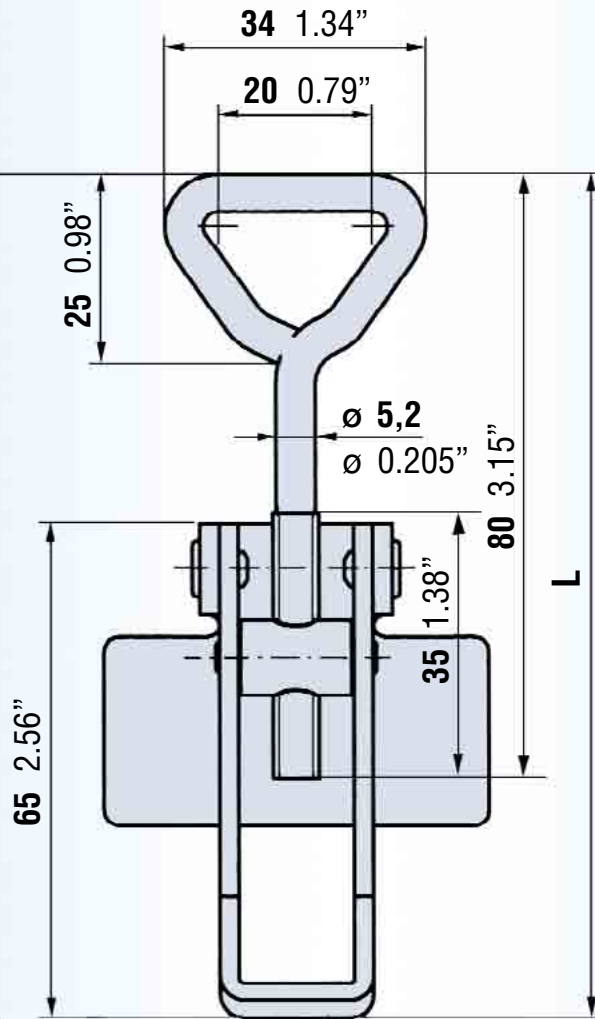
702 T

L = 94 - 112 3.46" - 4.41"



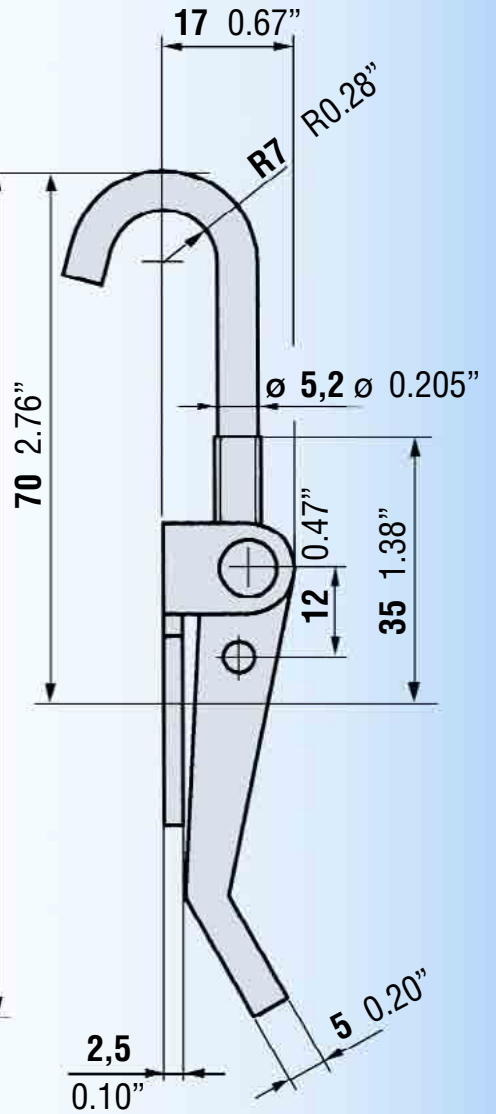
702

L = 98 - 122 3.86" - 4.80"



702 H

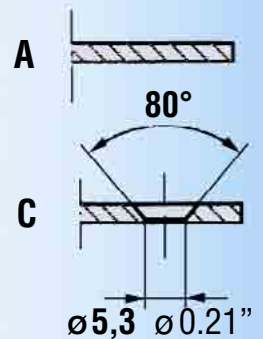
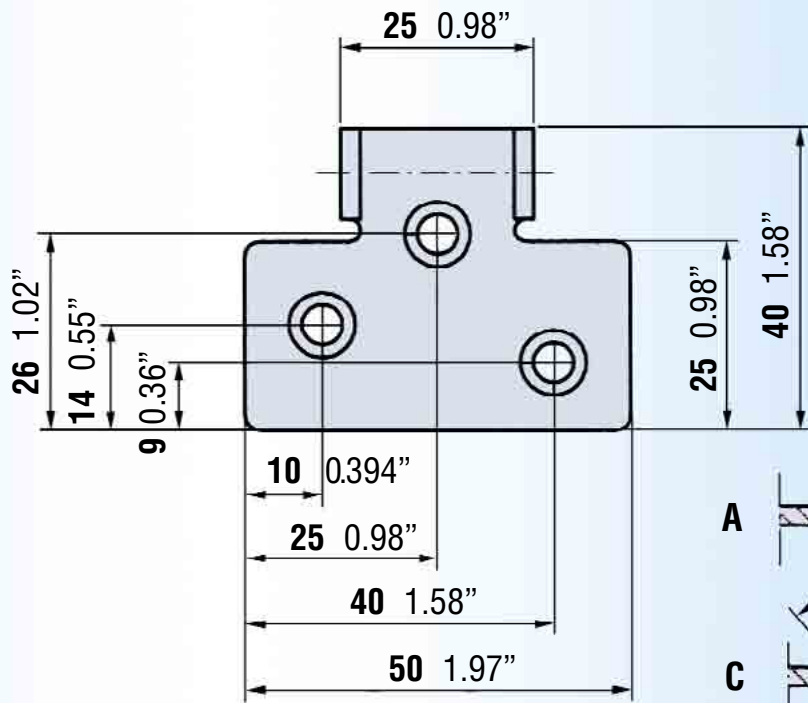
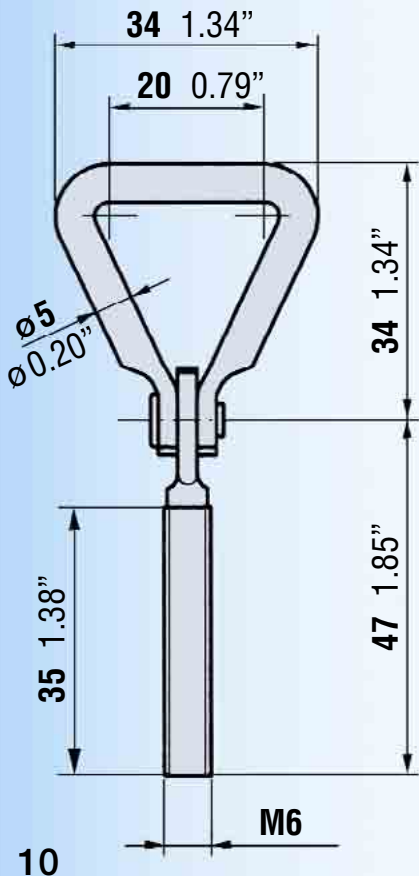
L = 88 - 112 3.46" - 4.41"



702

Hinged screw-loop

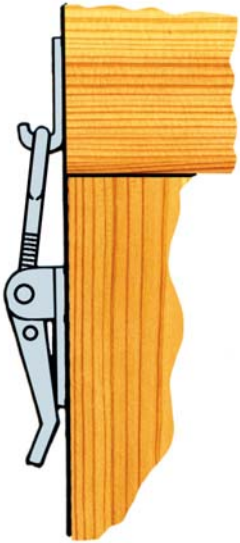
L = 98 - 122 3.86" - 4.80"



703-704

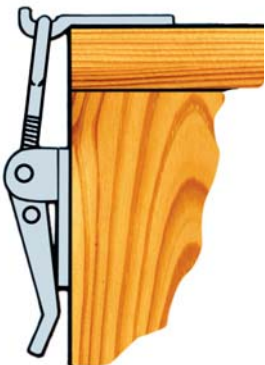
Strikers

16, 19, 22 or 41



Strikers

17 or 20



Strikers,

see pages: 31-36

Hook-screw
703



T-screw 703



703 C



703 L/C



703 L/C
Rubber



704 L/C
Safety catch,
Stainless



Combinations		Capacity			Weight	
Catch	Striker	Recommended maximum load			Weight per 100 pcs.	
		Kp	N	Pounds	Kilos	Pounds
703 L/C	20, 22, 41	500	4905	1101	20,1	44.3
703 TL/C	16, 17	500	4905	1101	18,8	41.4
703 HL/C	-	150	1471	330	18,9	41.6
703 C	20, 22, 41	500	4905	1101	20,8	45.8
703 T/C	16, 17	500	4905	1101	19,4	42.7
703 H/C	-	150	1471	330	19,5	43.0
703 L/C Rubber	16				16,7	36.8
703 C Rubber	16				17,4	38.3
704 L/C	20, 22, 41	500	4905	1101	22,8	50,2

703 T

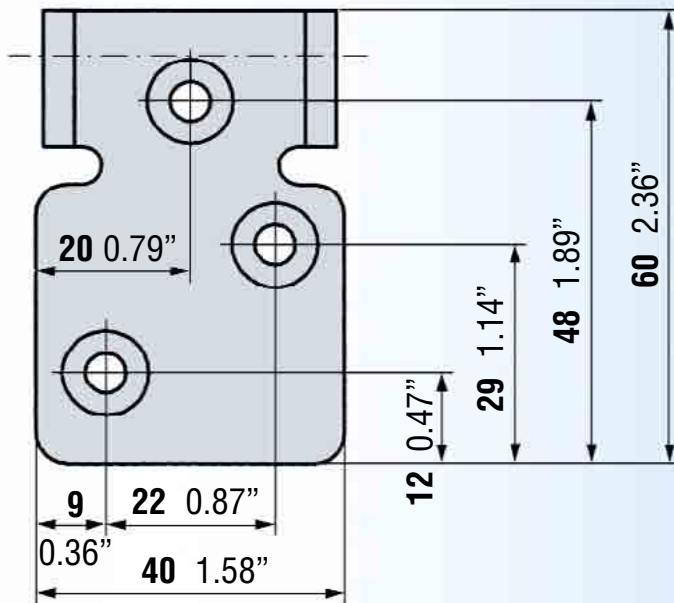
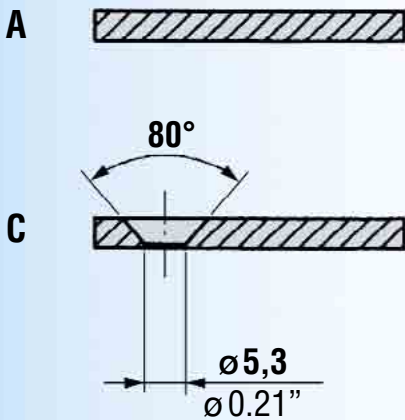
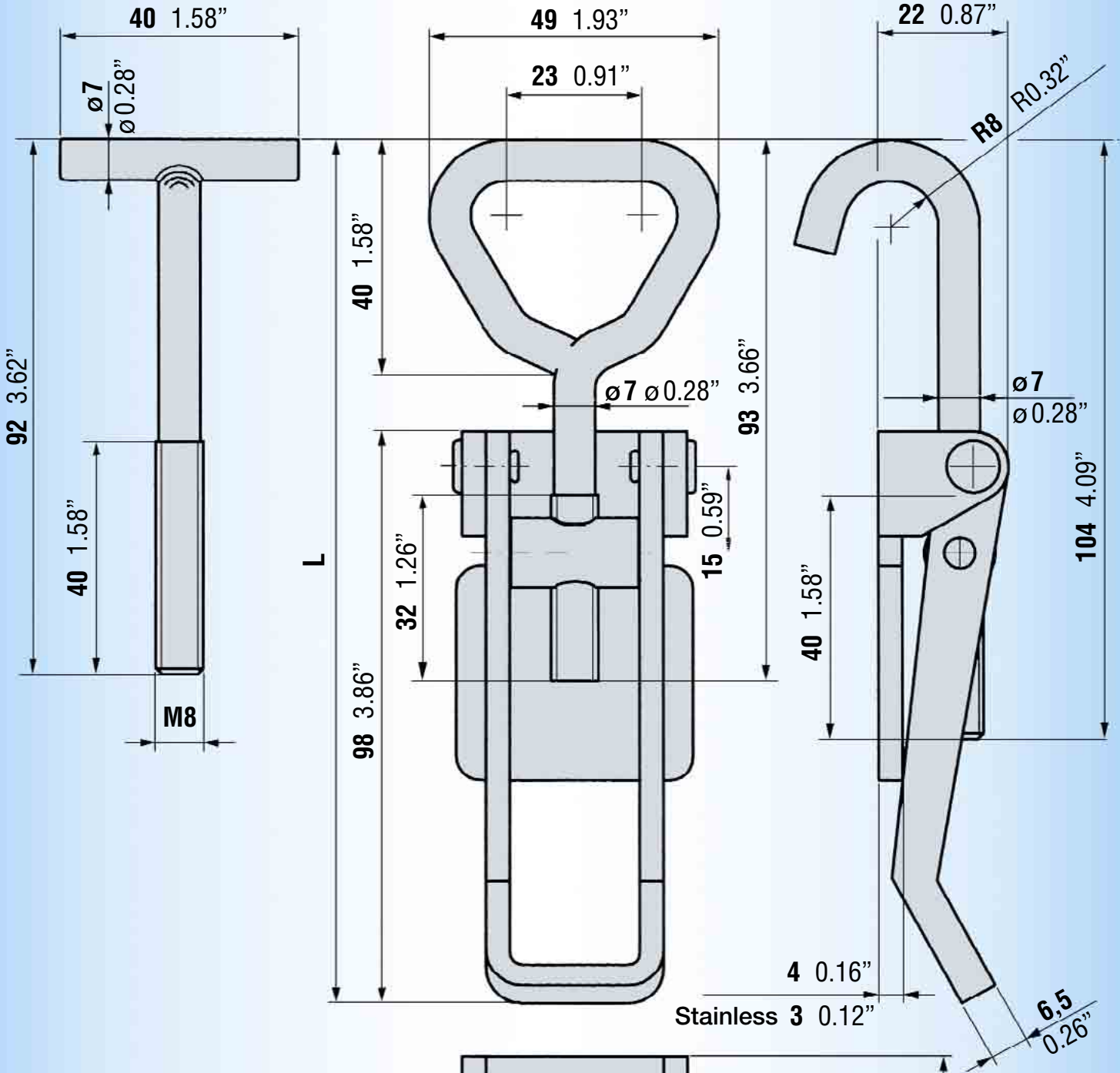
L = 135-163 5.31"-6.42"

703

L = 145-164 5.71"-6.46"

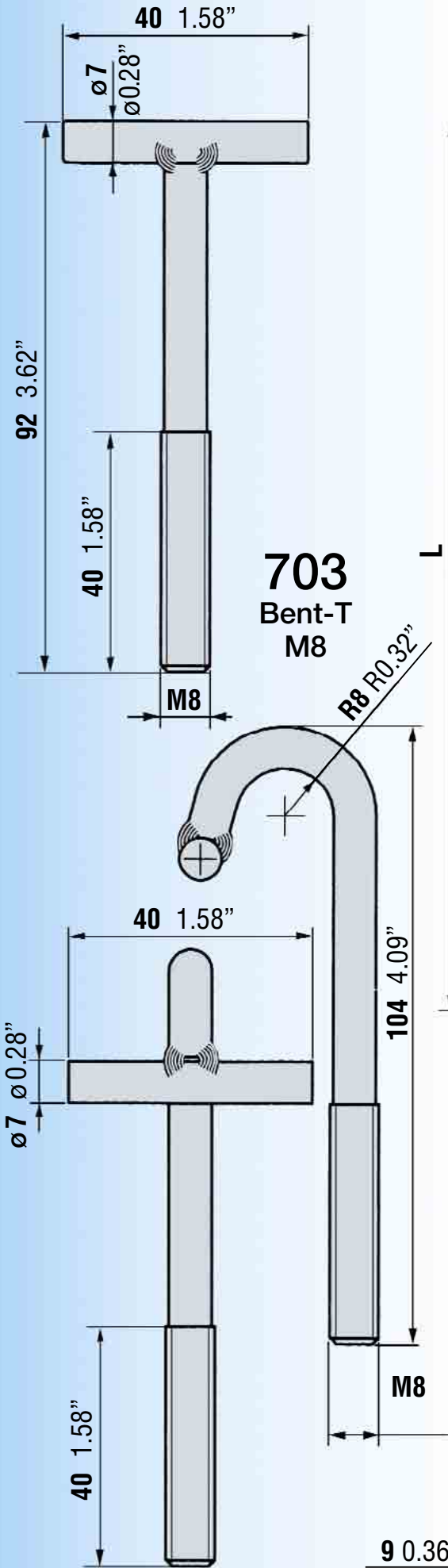
703 H

L = 145-174 5.71"-6.85"



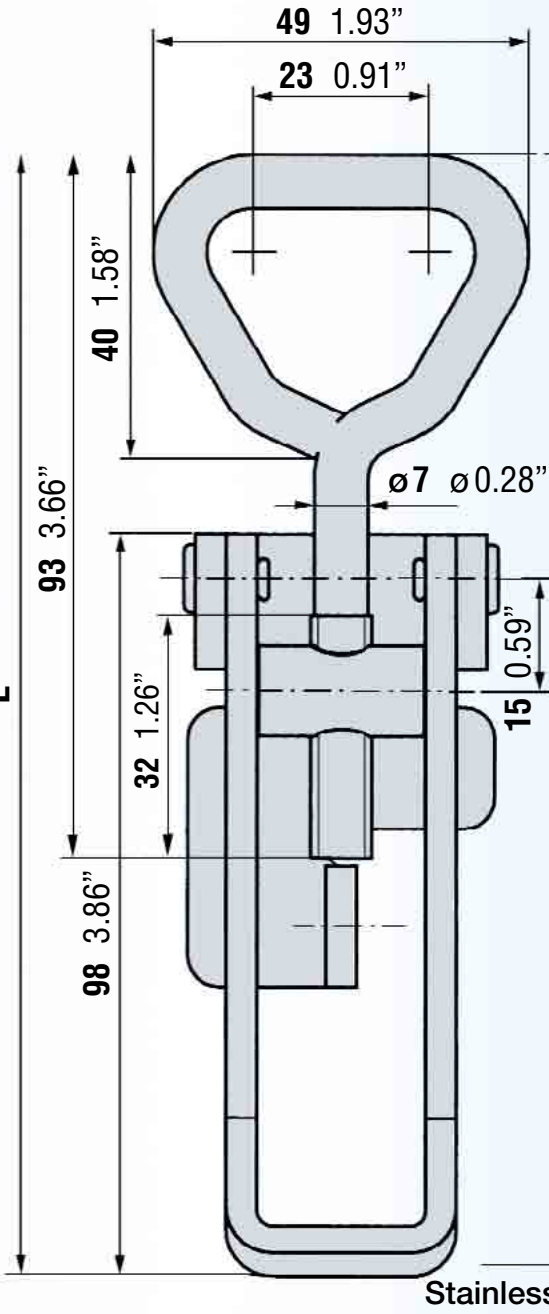
703 TL

L = 149-164 5.87"-6.46"



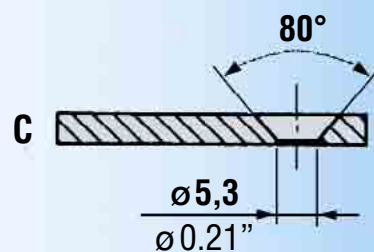
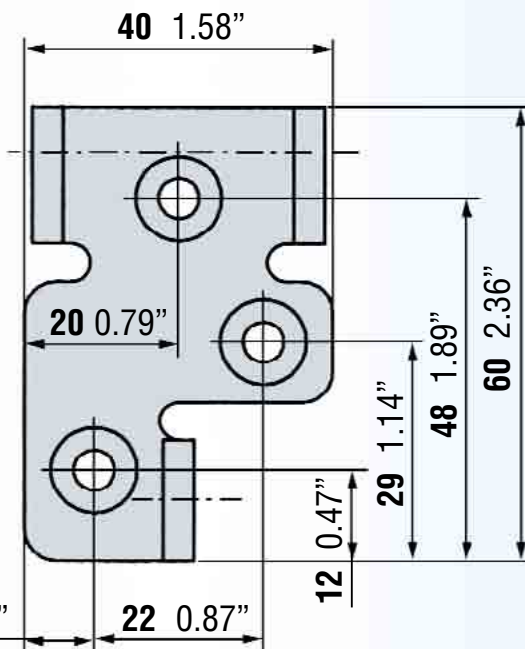
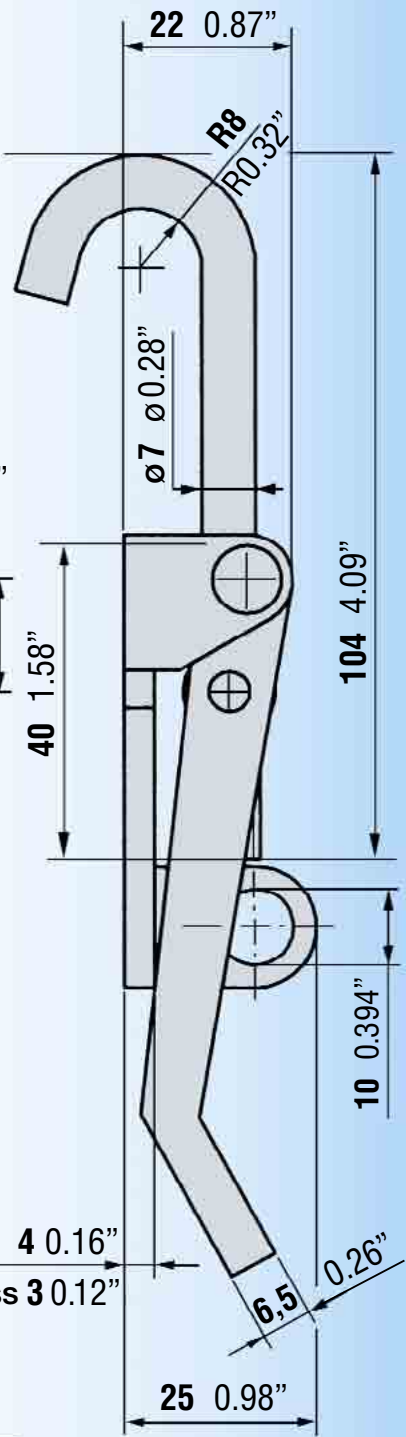
703 L

L = 149-164 5.87"-6.46"

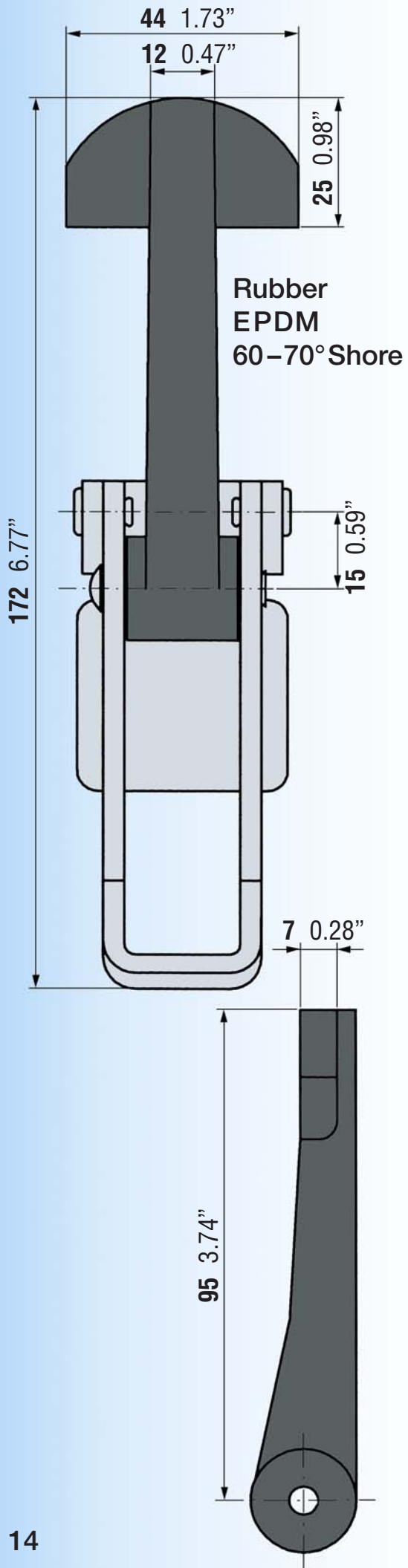


703 HL

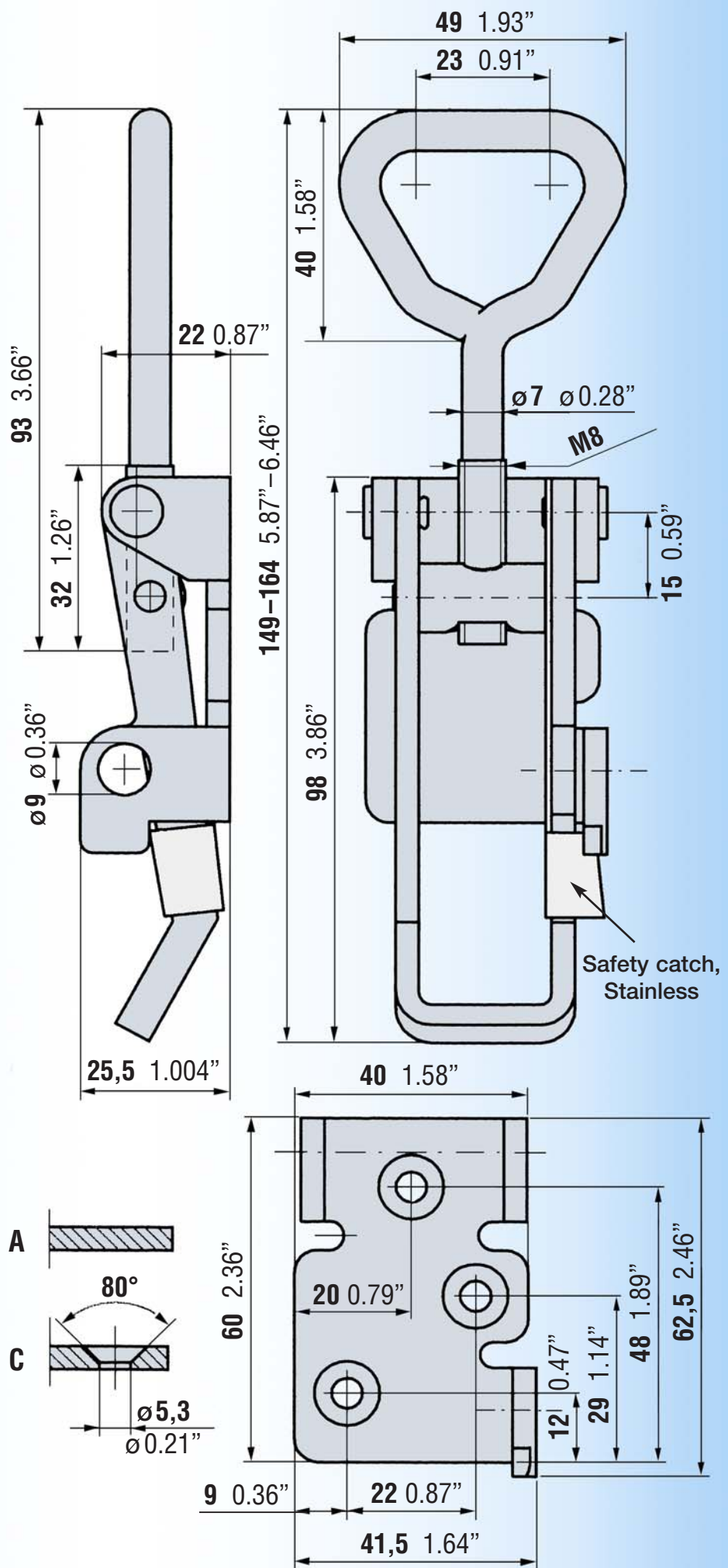
L = 159-174 6.26"-6.85"



703 Rubber



704 L/C With safety catch



Innovations



41 C
Black chromate

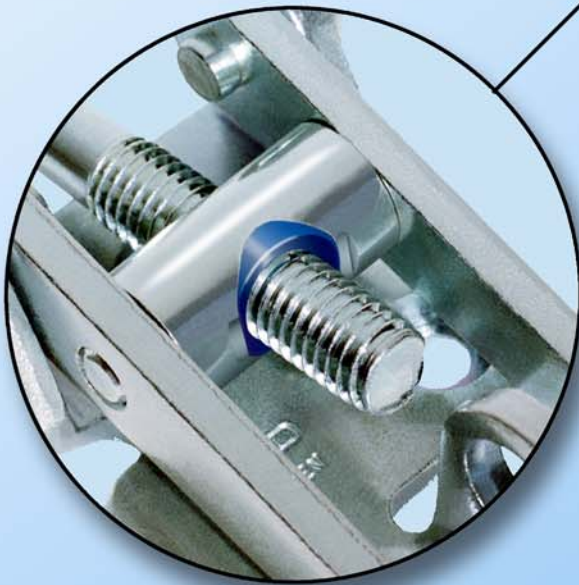


704 L/C, Black chromate,
with friction screw-loop
and safety catch
Patent pending



703 L/C, Zinc-plated,
with friction screw-loop
Patent pending

703 L/C, Zinc-plated,
plastic-coated handle
Registered design



Heavy Duty

804 TL/C

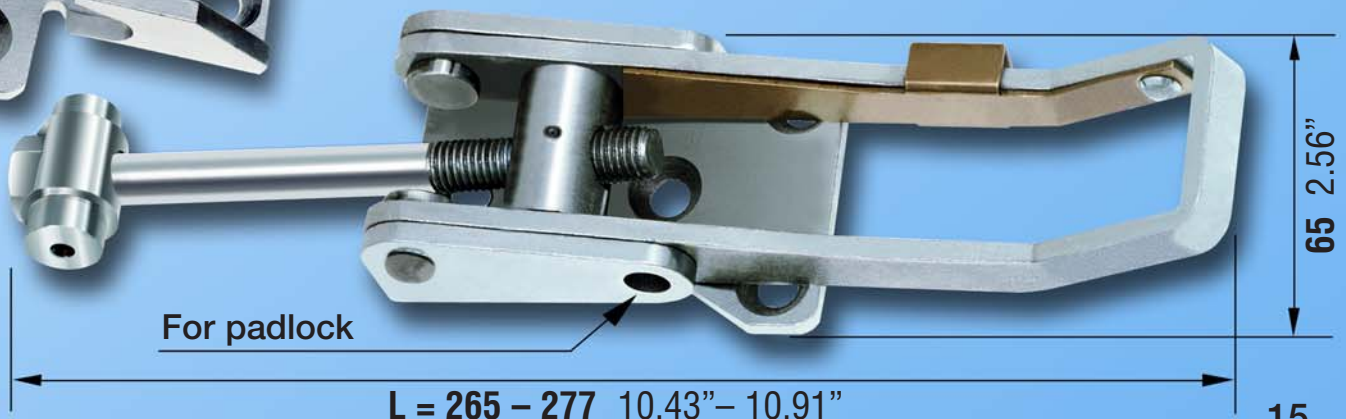
Registered design

Capacity:
1600 Kp
16000 N
3500 Pound

Weight: 1.05 kilo
(Fastener + Striker)
Materials: Zinc-plated
steel or brightened
316 stainless



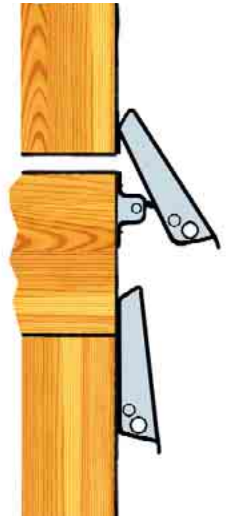
42 C



For padlock

L = 265 - 277 10.43" - 10.91"

15



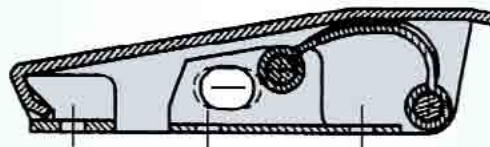
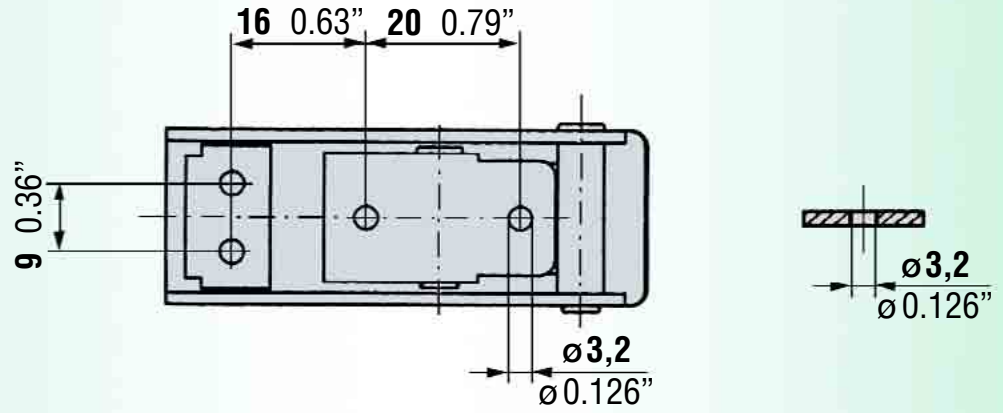
Strikers
94, 95 or 99



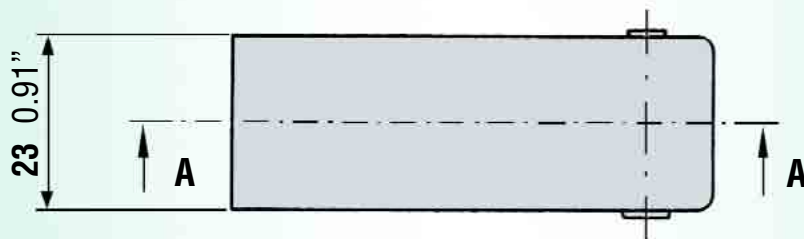
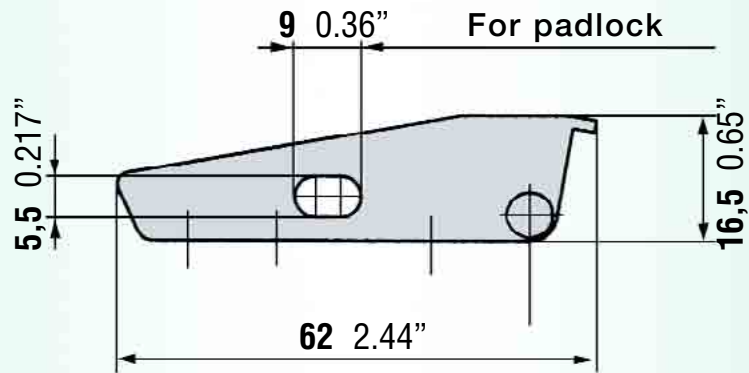
Strikers,
see page: 31–36

Combinations		Capacity			Weight	
Catch	Striker	Recommended maximum load			Weight per 100 pcs.	
		Kp	N	Pounds	Kilos	Pounds
903 XB	94	75	736	165	4,9	10.8
905 XC	95	100	981	220	7,6	16.7
909 XC	99	125	1226	275	12,3	27.1

903 XB

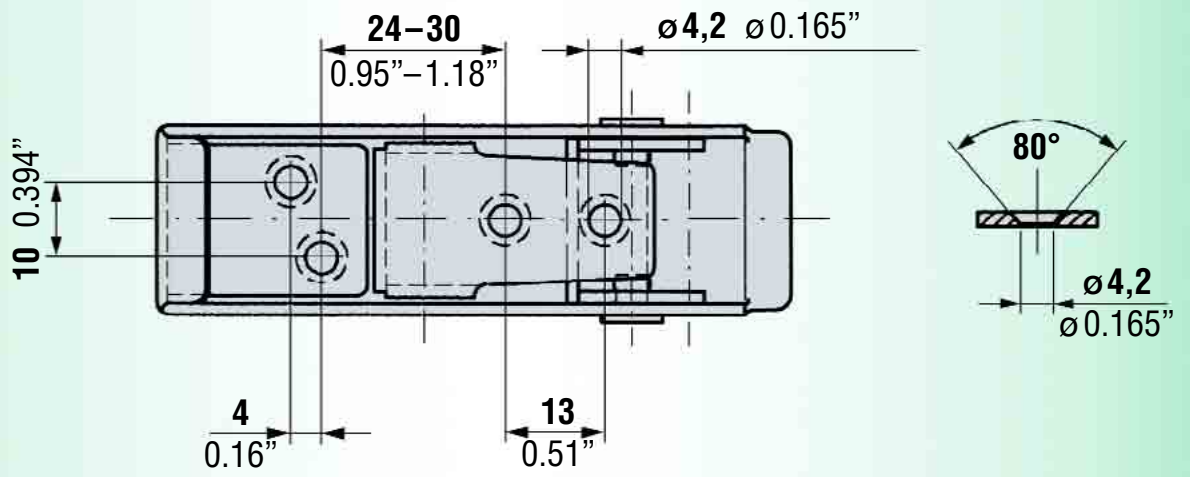


A-A



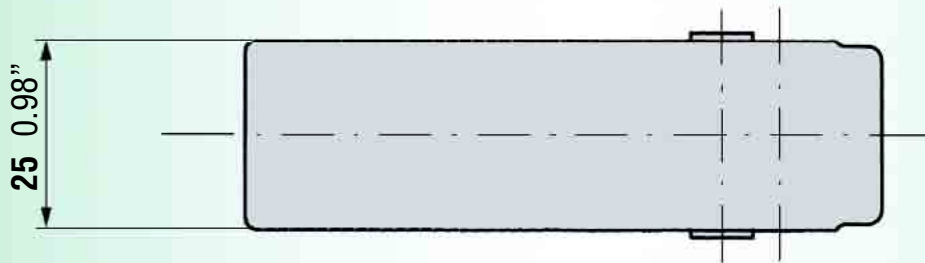
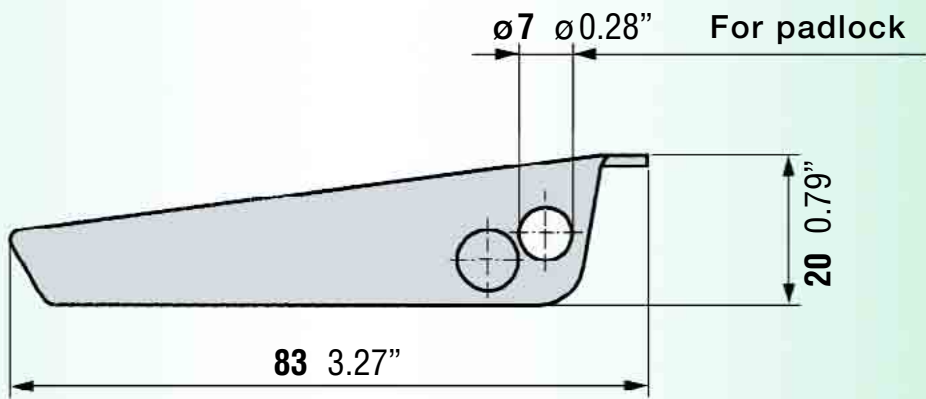
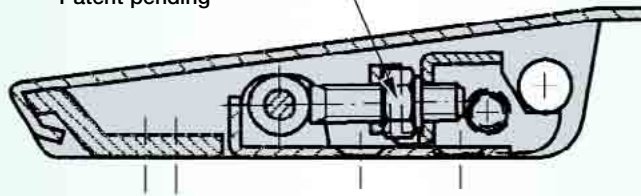
Sheet thickness: 1,5 0.06"

905 XC



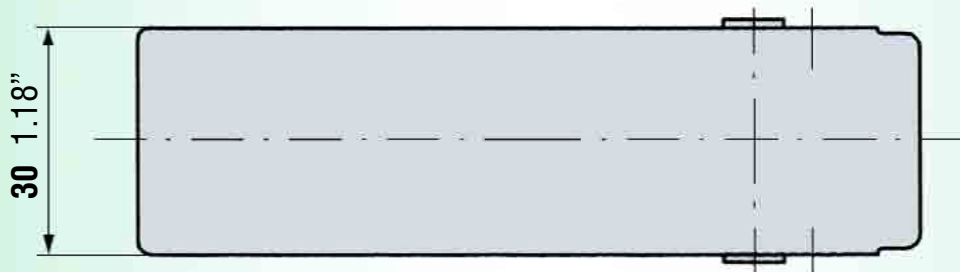
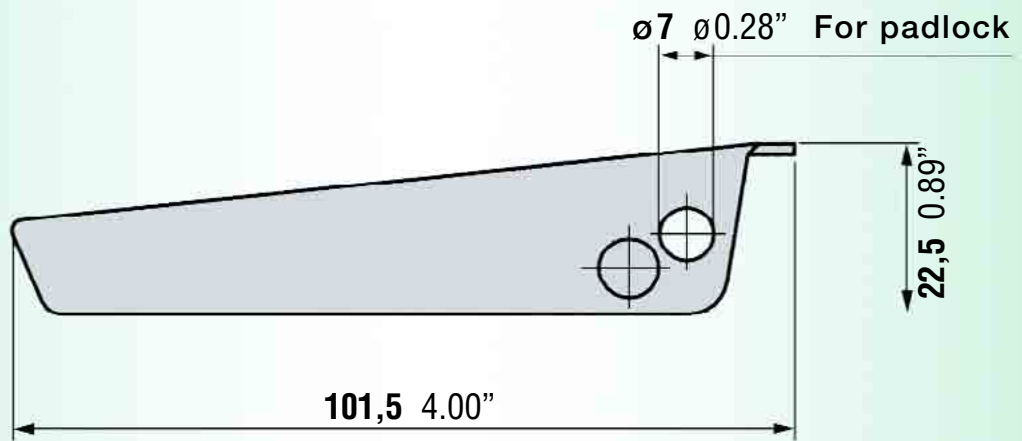
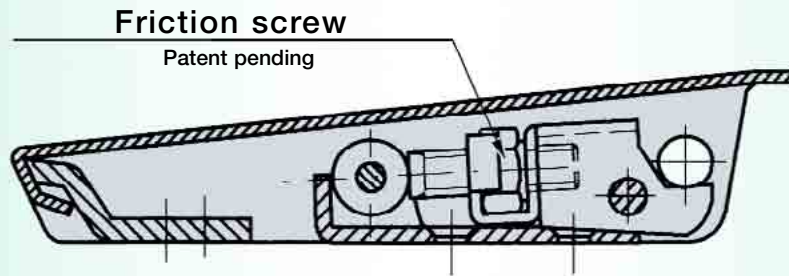
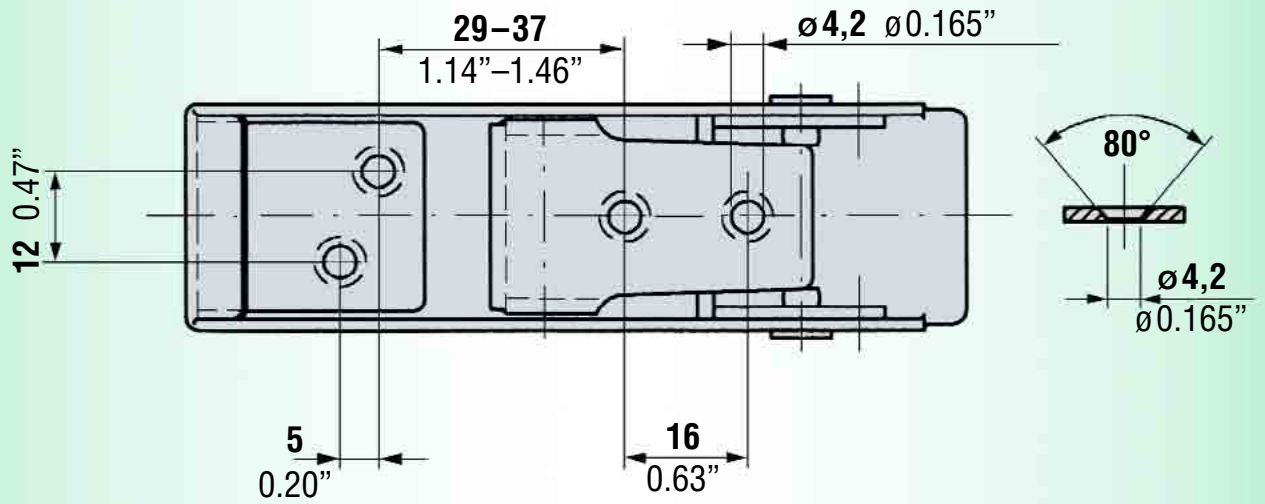
Friction screw

Patent pending



Sheet thickness: 1,5 0.06"

909 XC

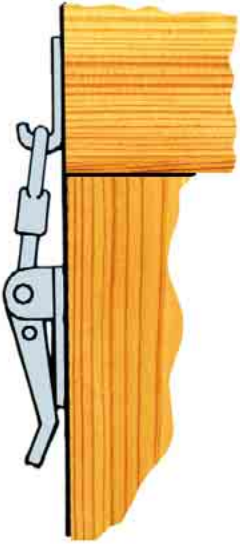


Sheet thickness: $1,5$ $0.06''$

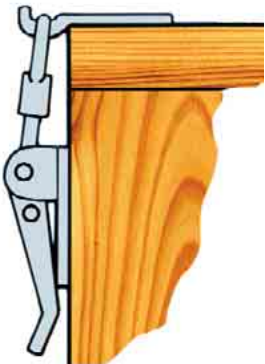
Powder-coated



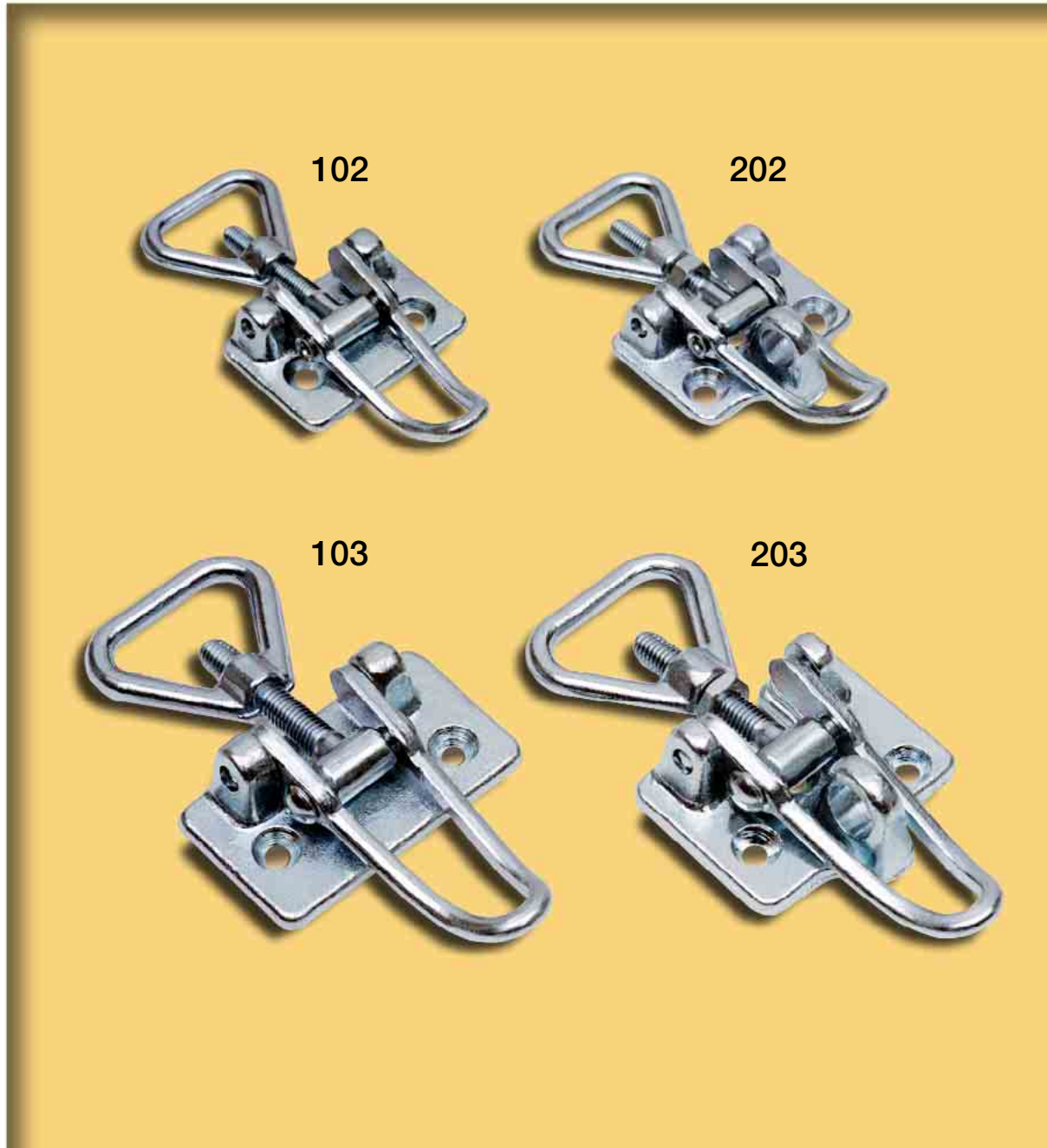
Strikers
22, 31 or 41



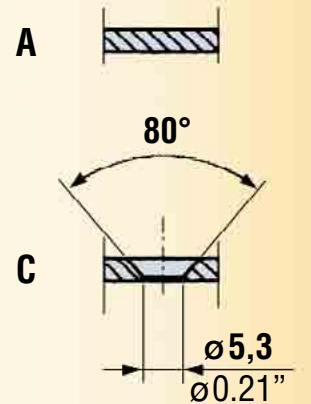
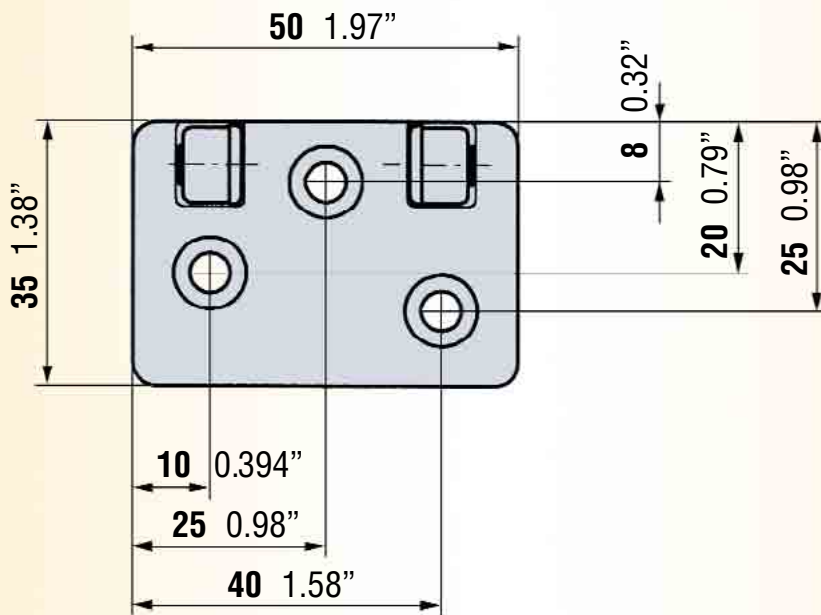
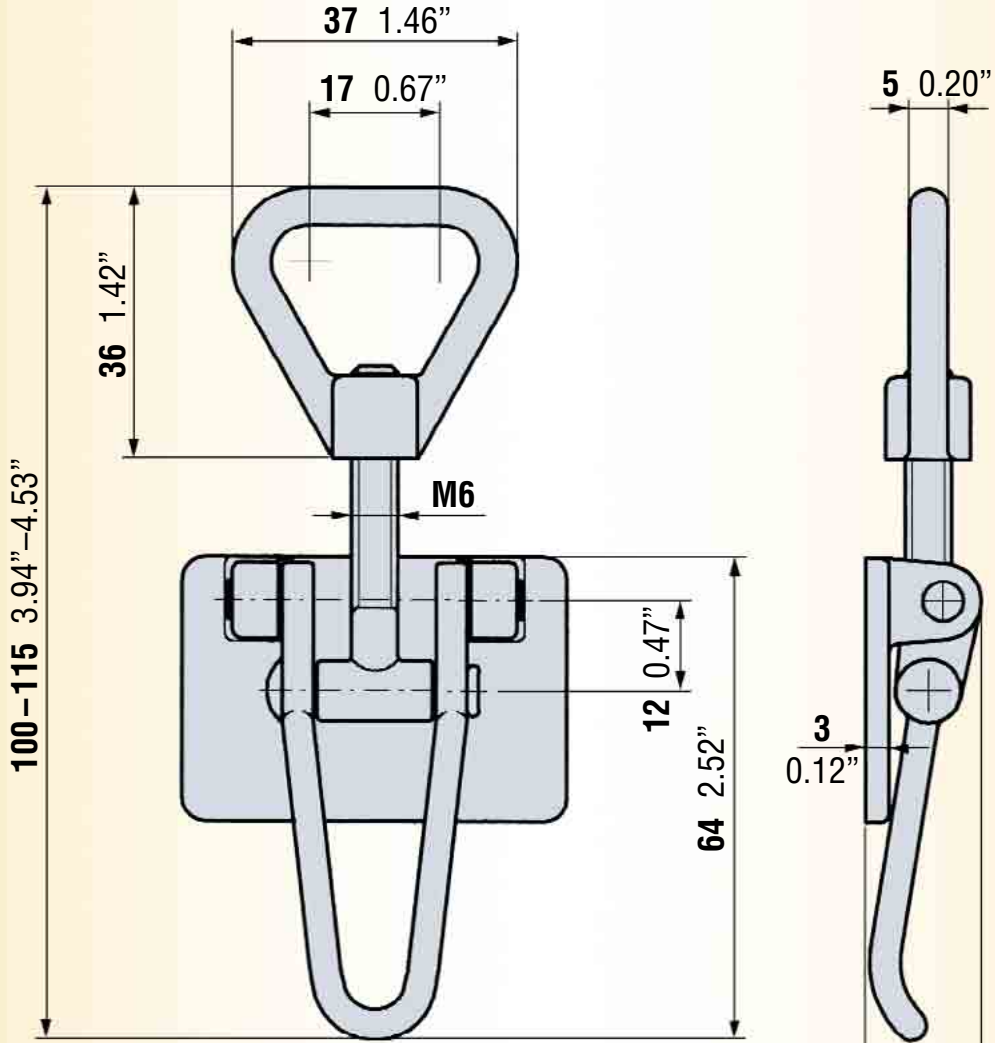
Strikers
10 or 20

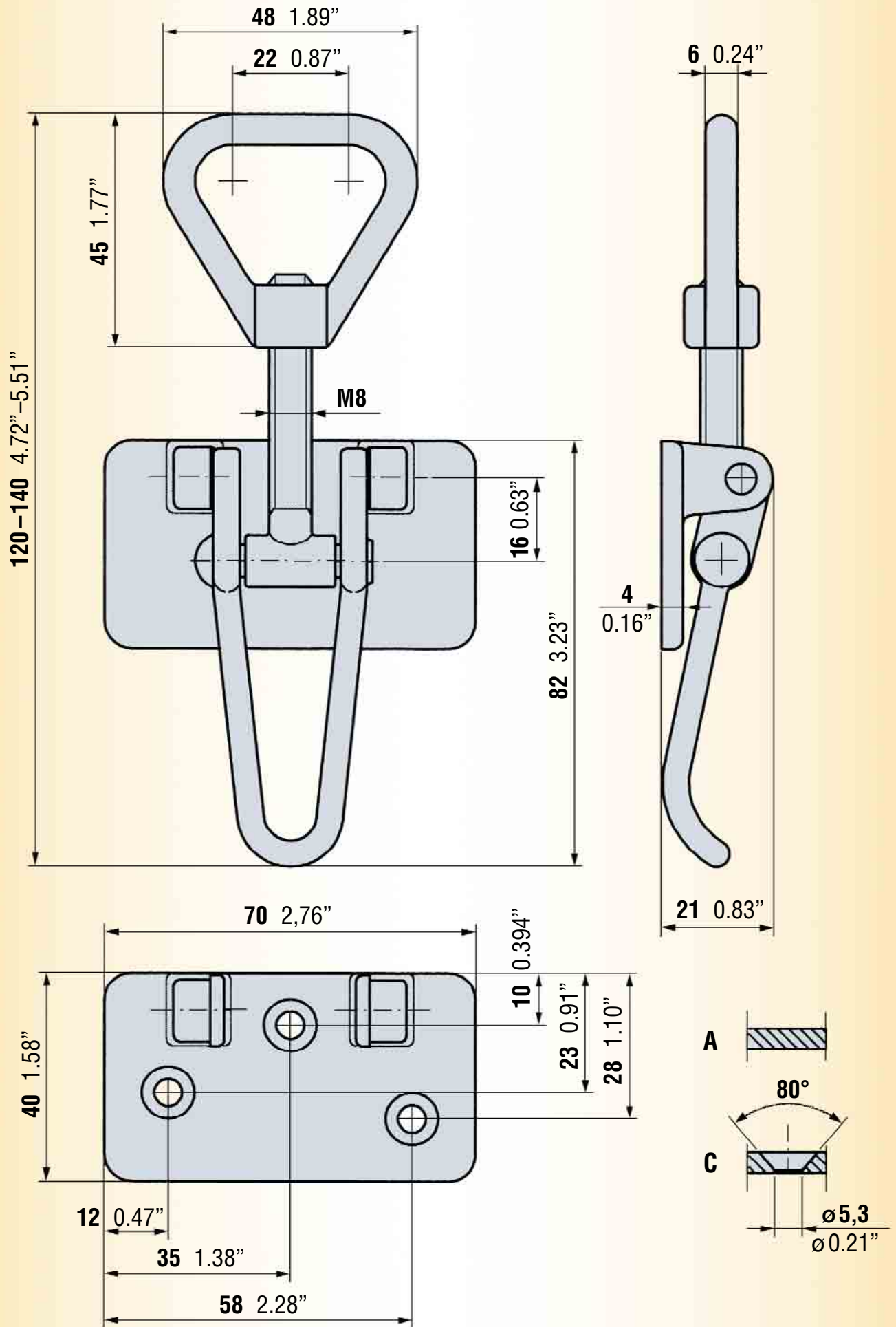


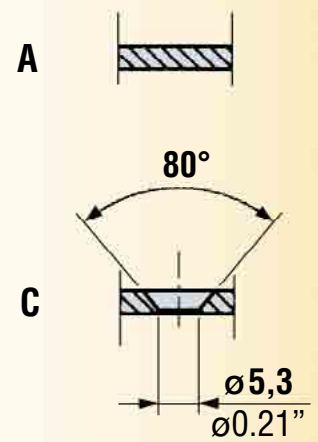
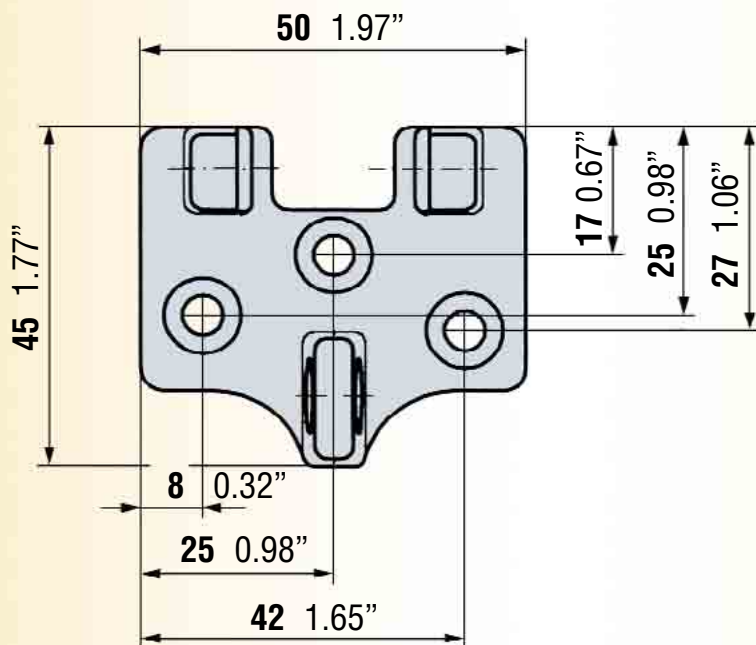
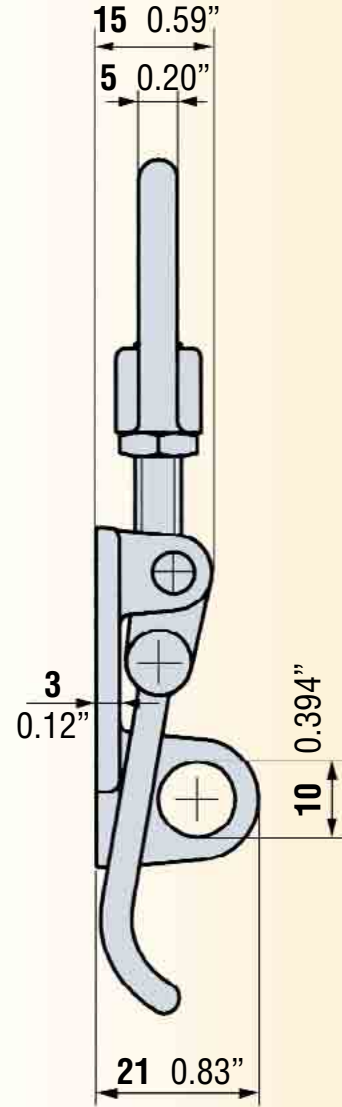
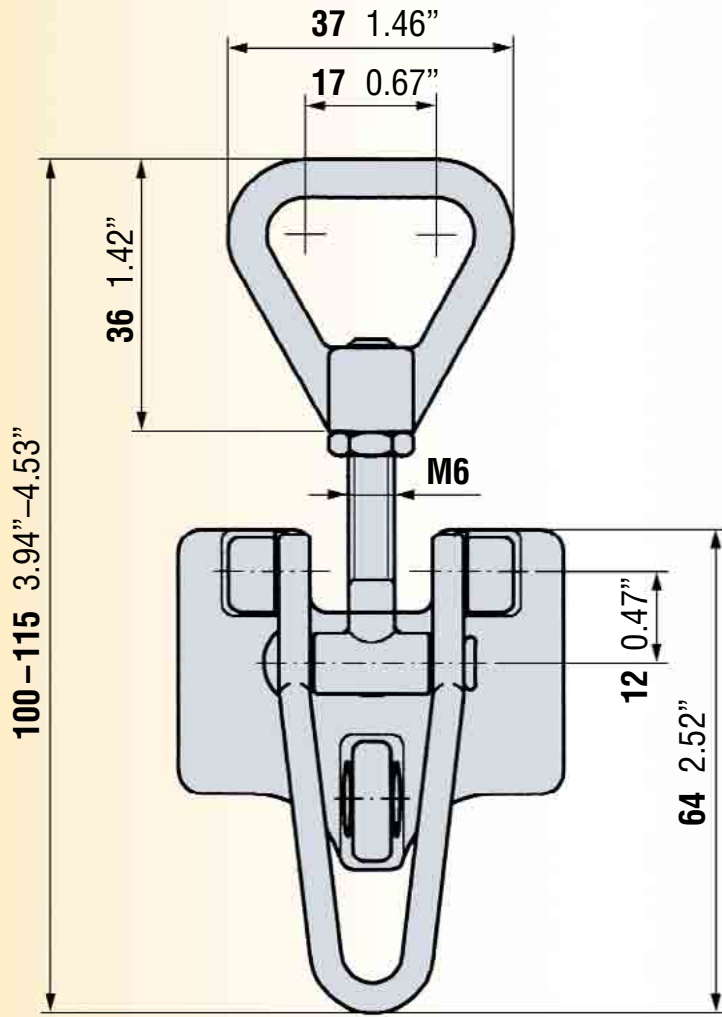
Strikers,
see pages: 31-36

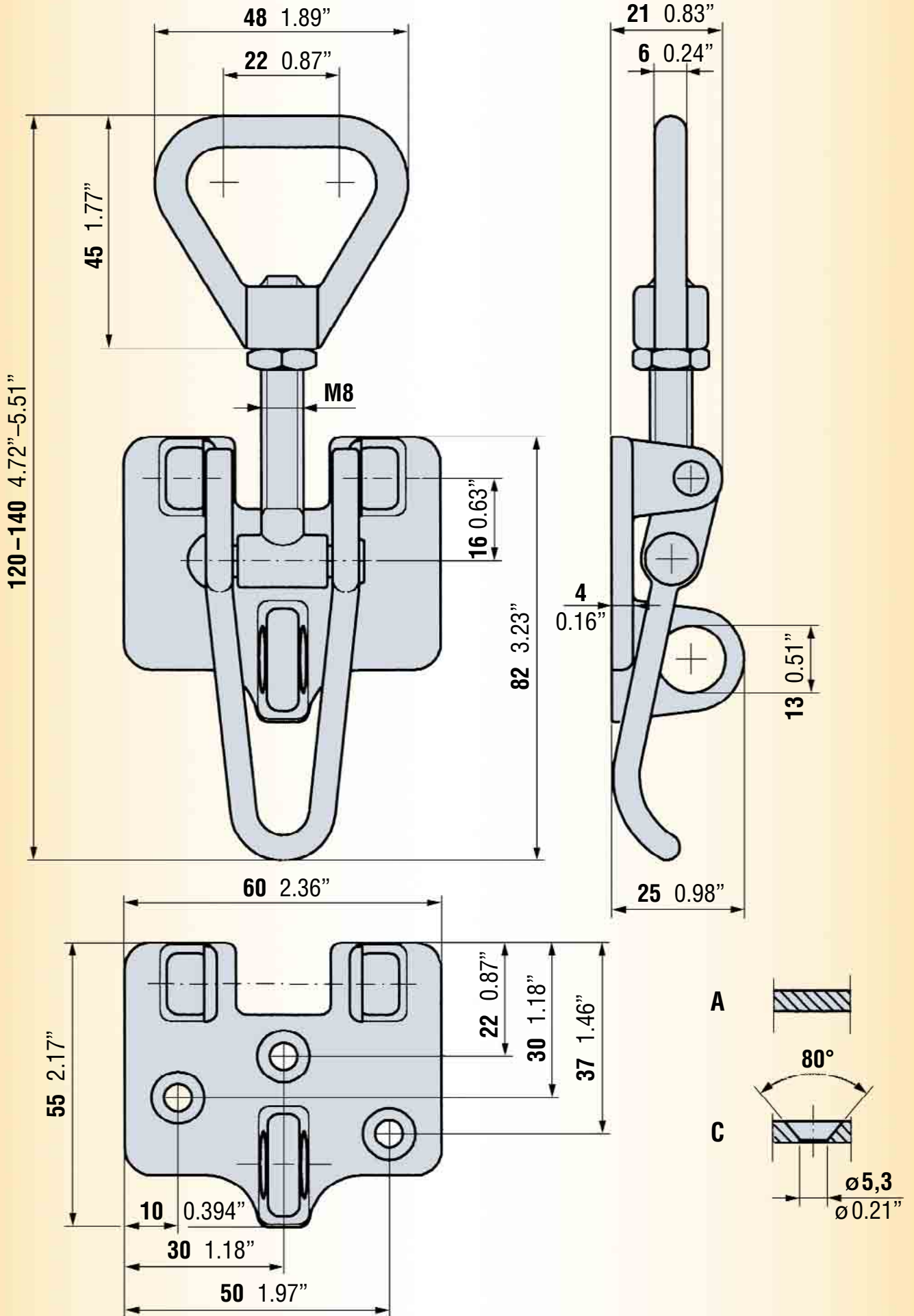


Combinations		Capacity			Weight	
Catch	Striker	Recommended maximum load			Weight per 100 pcs.	
		Kp	N	Pounds	Kilos	Pounds
102	10, 31	300	2943	660	10,2	22.5
103	20, 22, 41	500	4905	1101	21,2	46.7
202	10, 31	300	2943	660	11,8	26.0
203	20, 22, 41	500	4905	1101	23,0	50.7

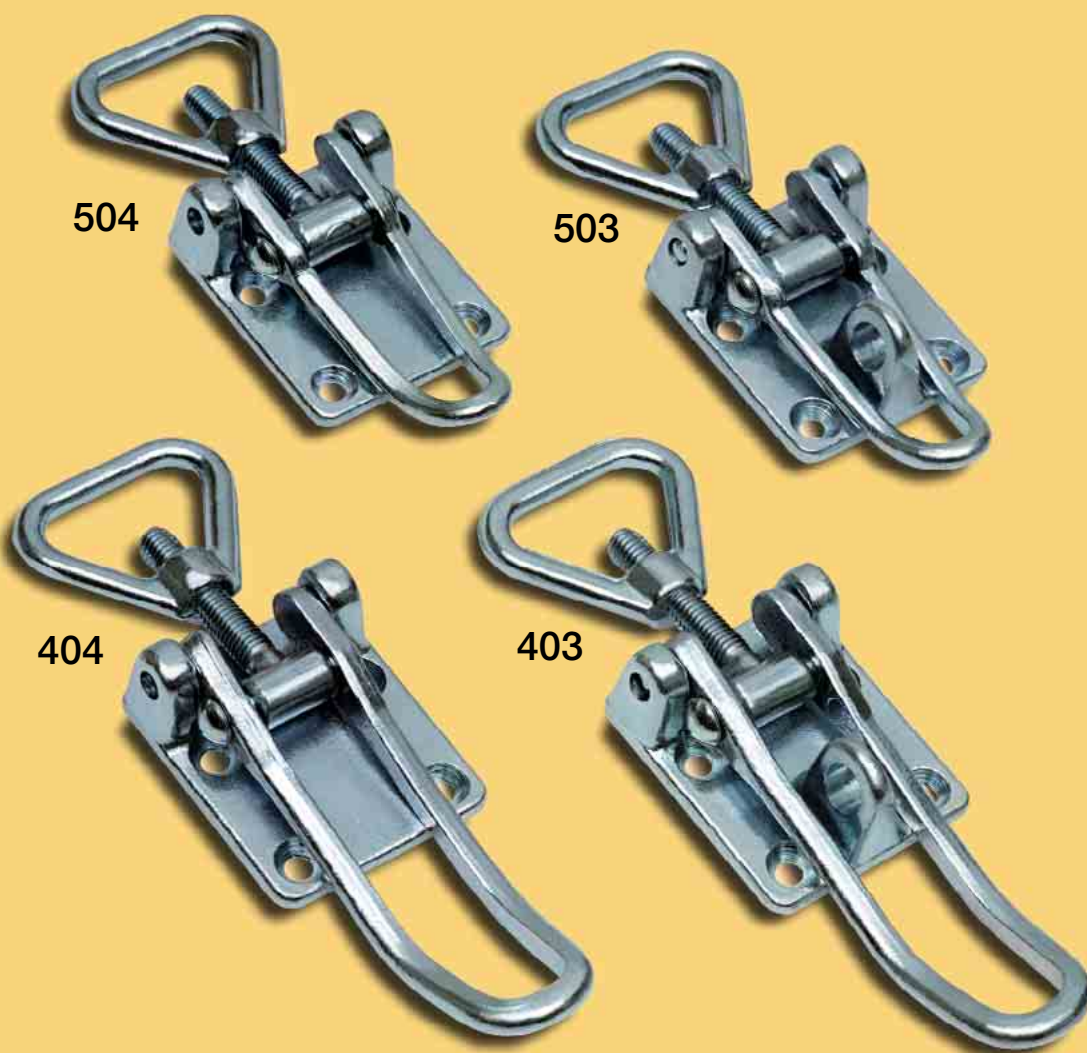








400-500



Strikers
22 or 41



Striker
20

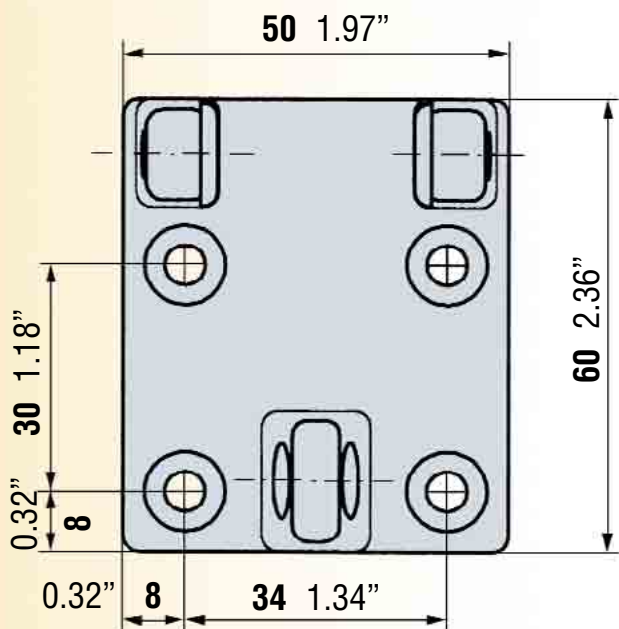
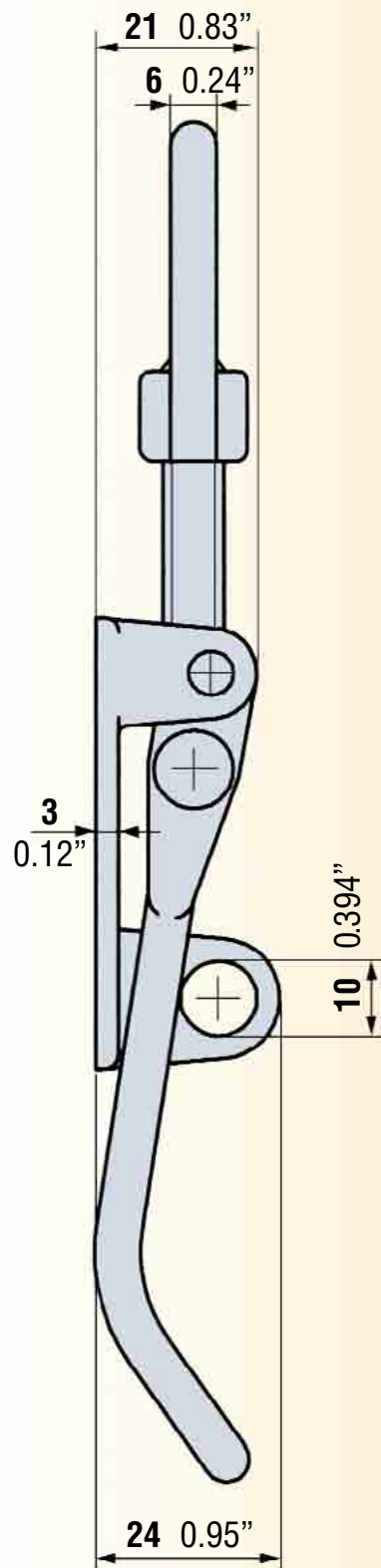
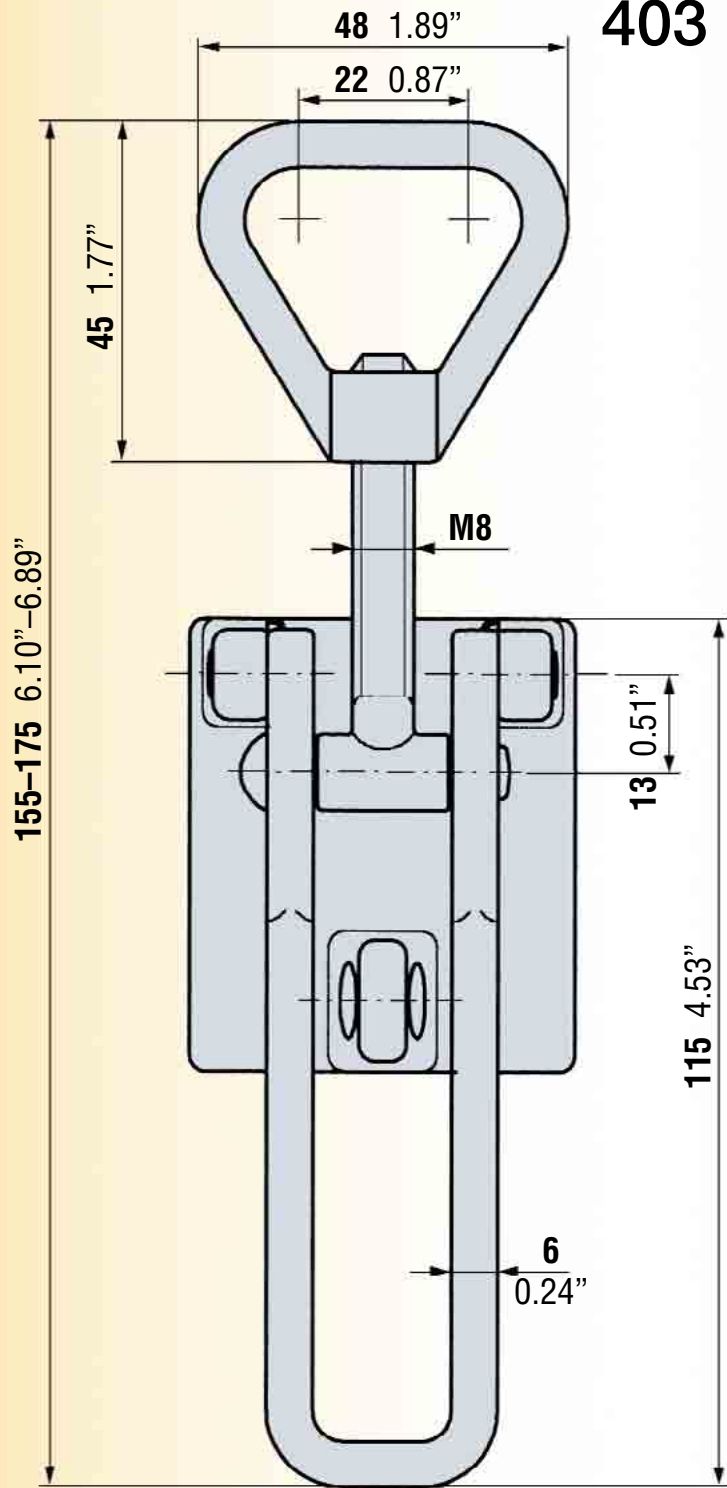


Strikers,
see pages: 31 -36

Combinations		Capacity			Weight	
Catch	Striker	Recommended maximum load			Weight per 100 pcs.	
		Kp	N	Pounds	Kilos	Pounds
403	20, 22, 41	600	5886	1321	25,6	56.4
404	20, 22, 41	600	5886	1321	23,4	51.5
503	20, 22, 41	500	4905	1101	23,2	51.1
504	20, 22, 41	500	4905	1101	20,0	44.1



403

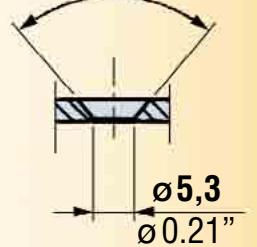


A

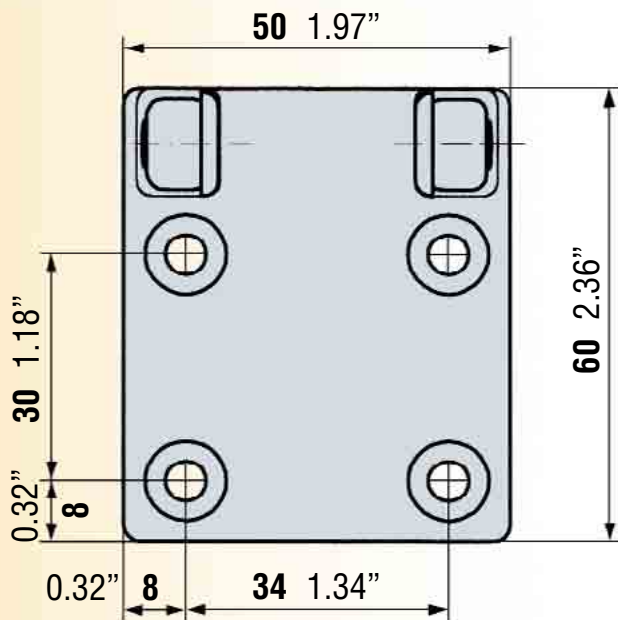
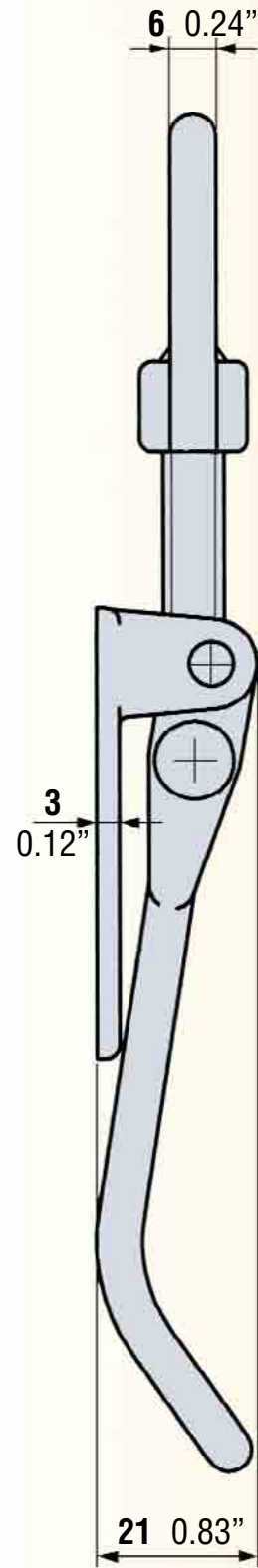
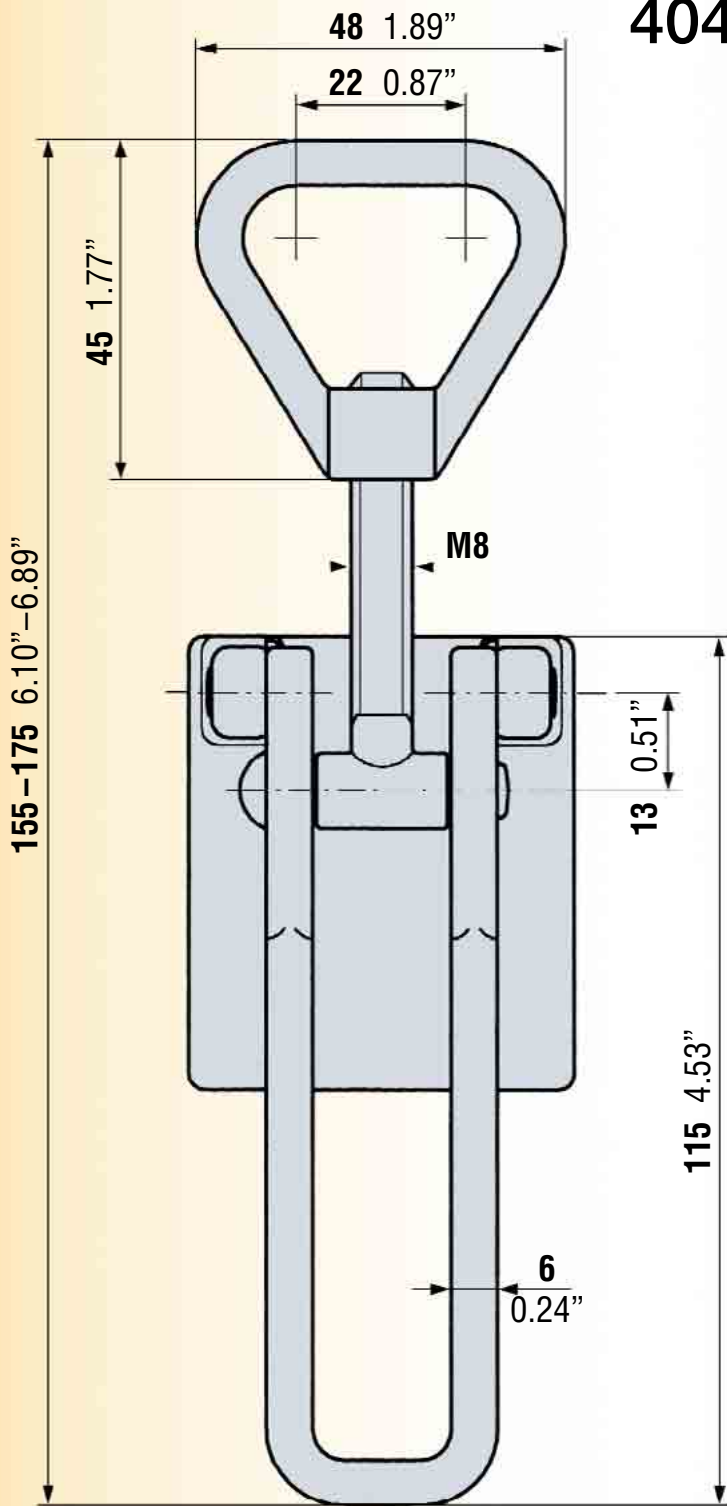


80°

C



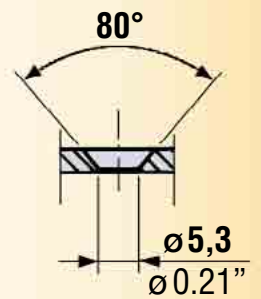
404

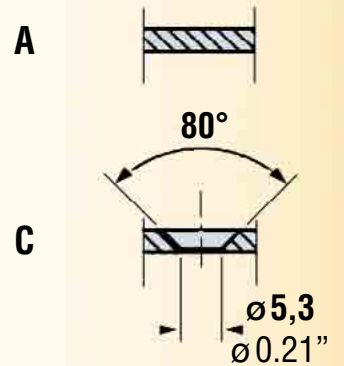
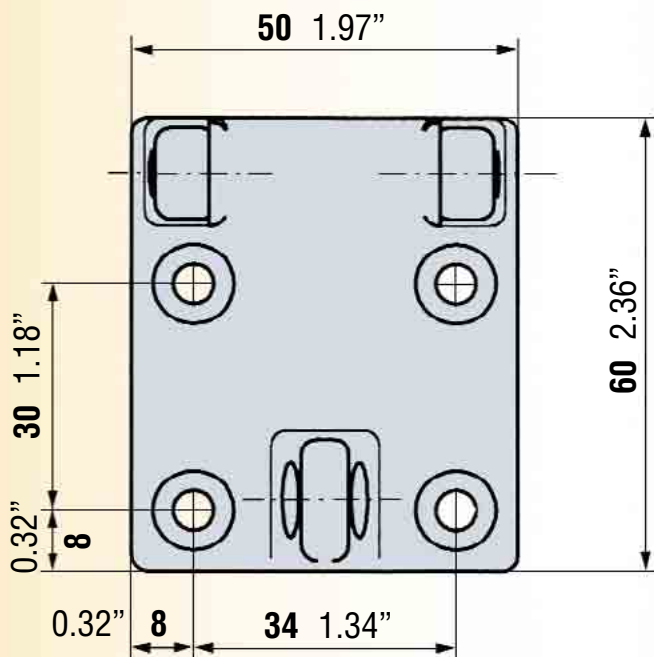
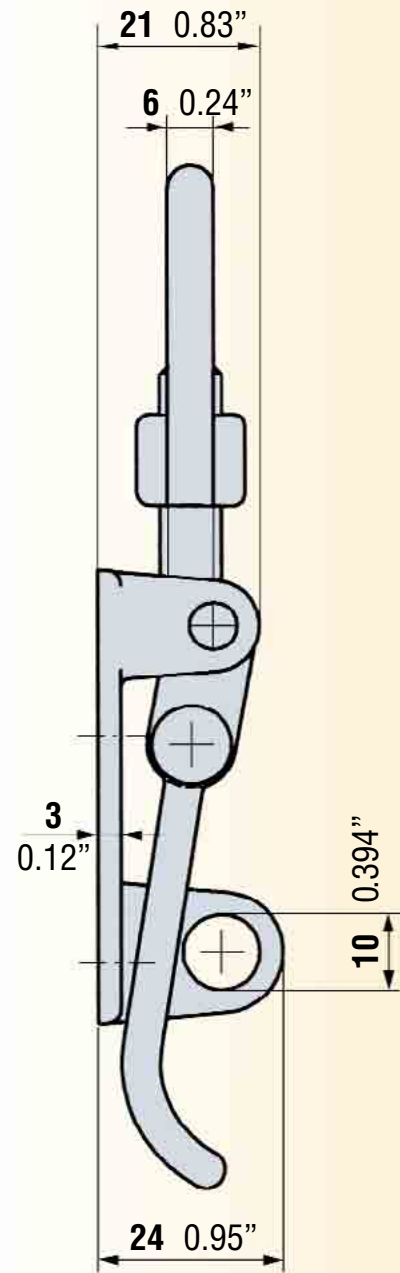
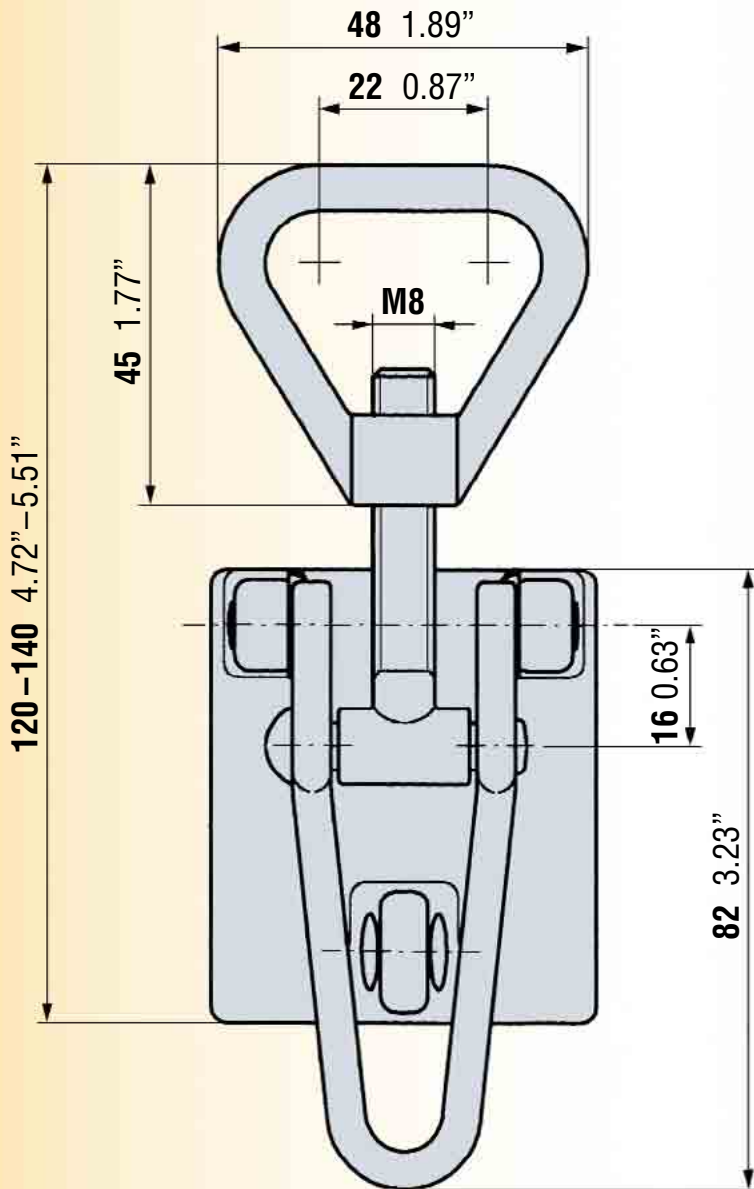


A

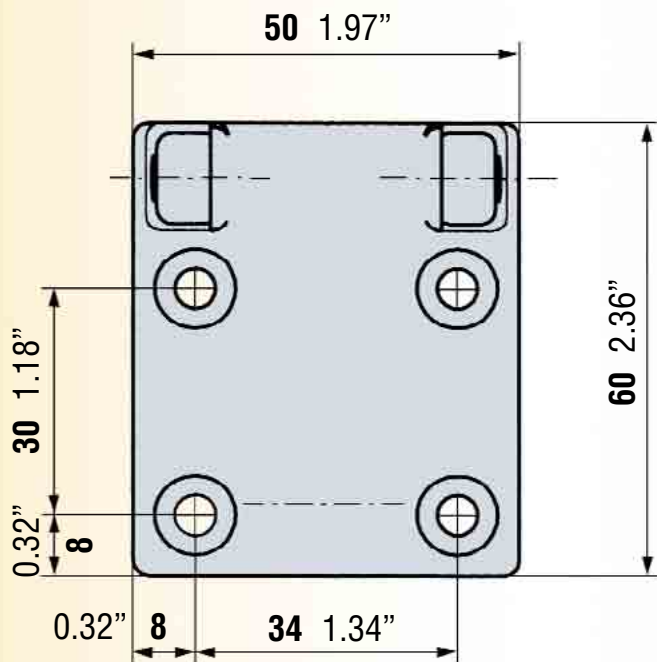
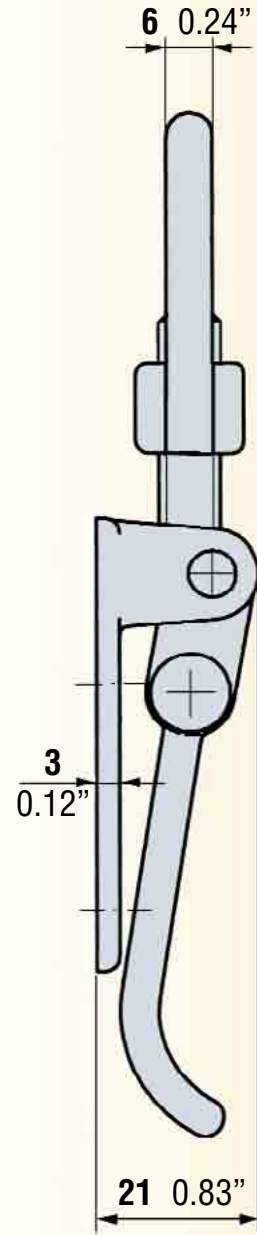
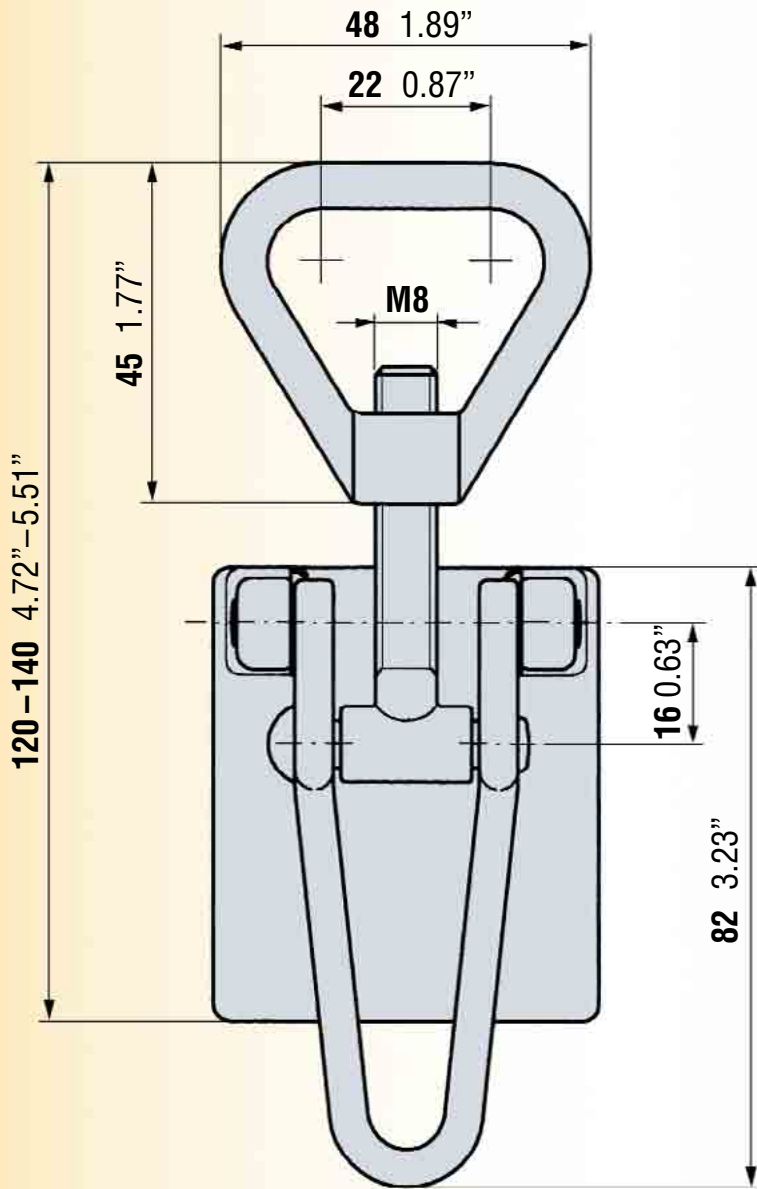


C

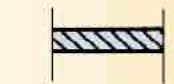




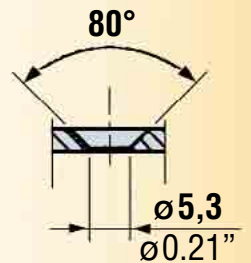
504



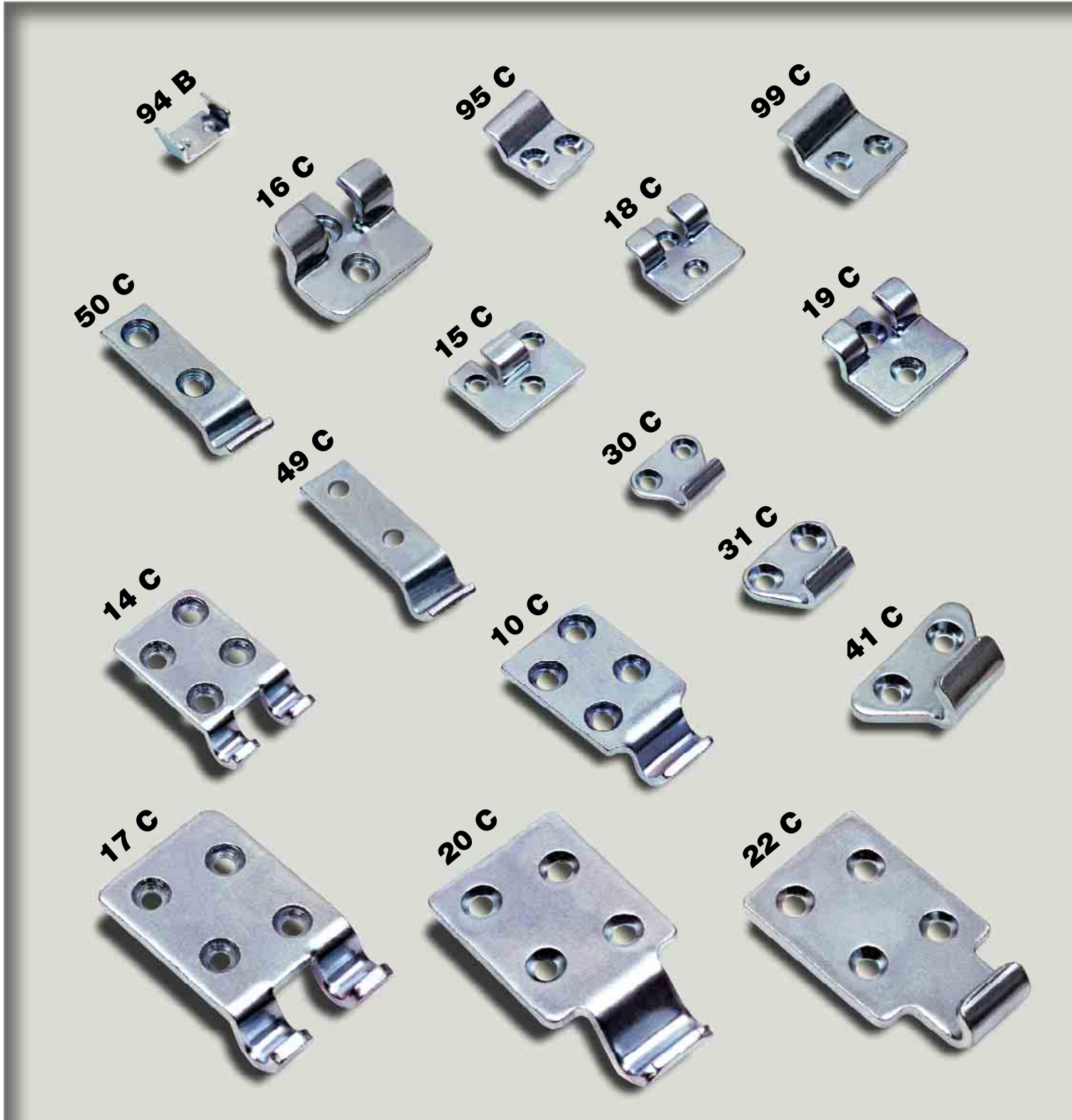
A



C



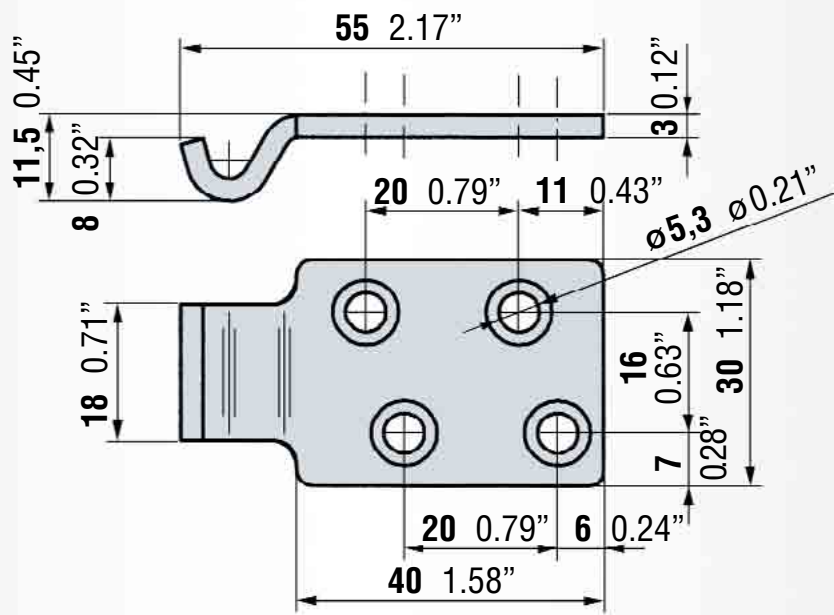
Strikers



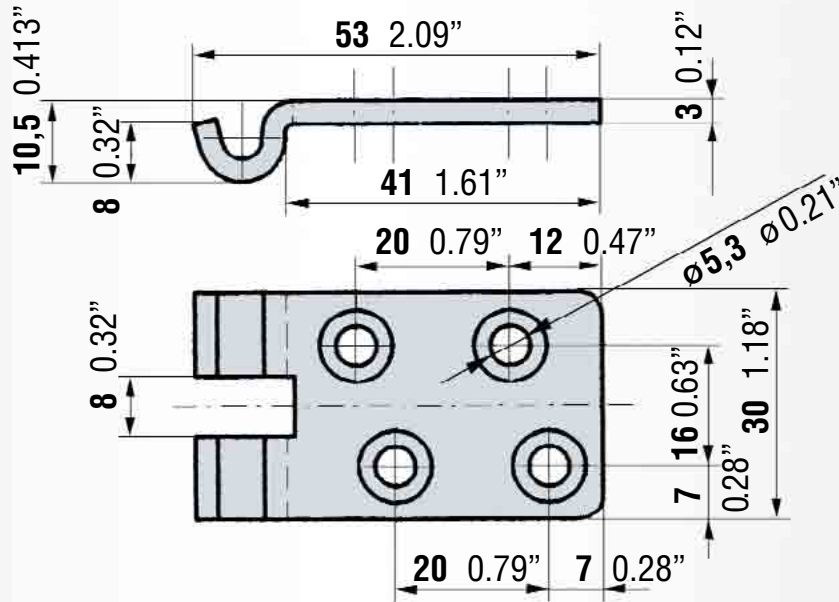
Weight per 100 pcs.																	
Catch	10	14	15	16	17	18	19	20	22	30	31	41	49	50	94	95	99
Kilos	3,2	3,7	1,0	3,9	7,4	1,0	2,1	7,6	7,4	0,6	1,3	3,2	1,8	1,6	0,3	1,1	1,6
Pounds	7.1	8.1	2.2	8.6	16.3	2.2	4.6	16.7	16.3	1.3	2.9	7.1	4.0	3.5	0.7	2.4	3.5



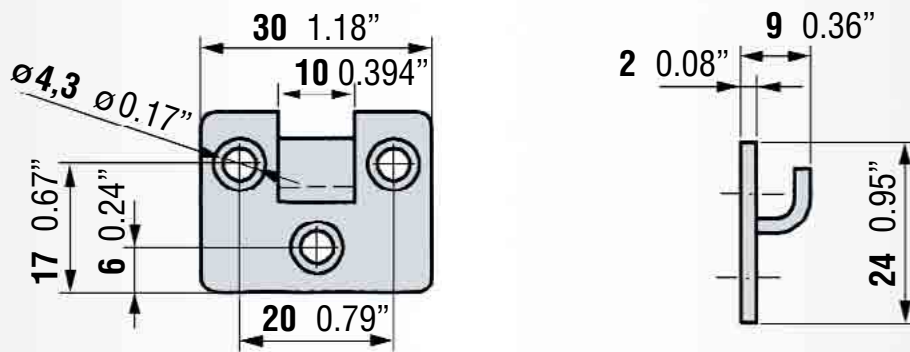
10 C



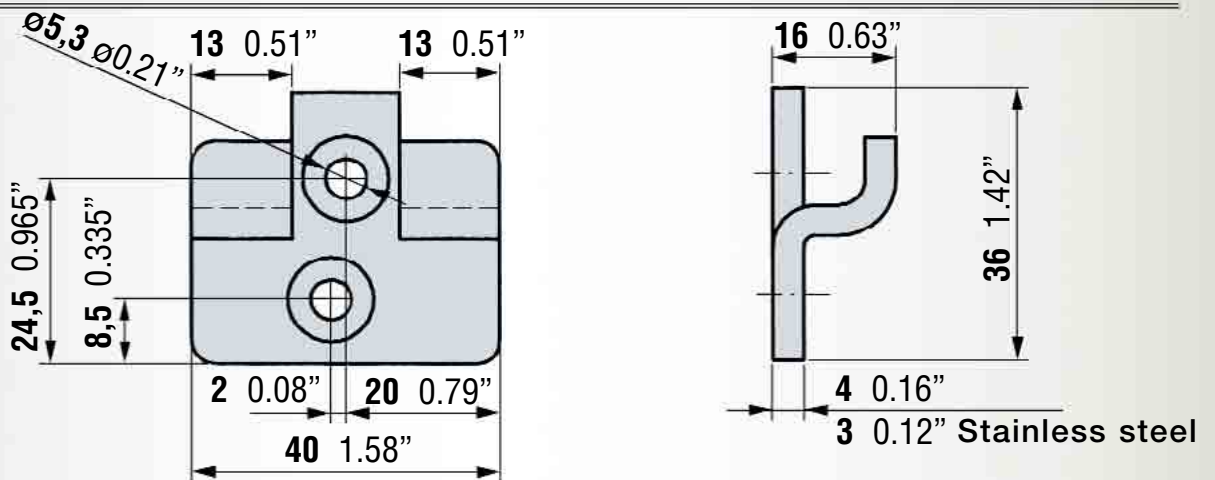
14 C



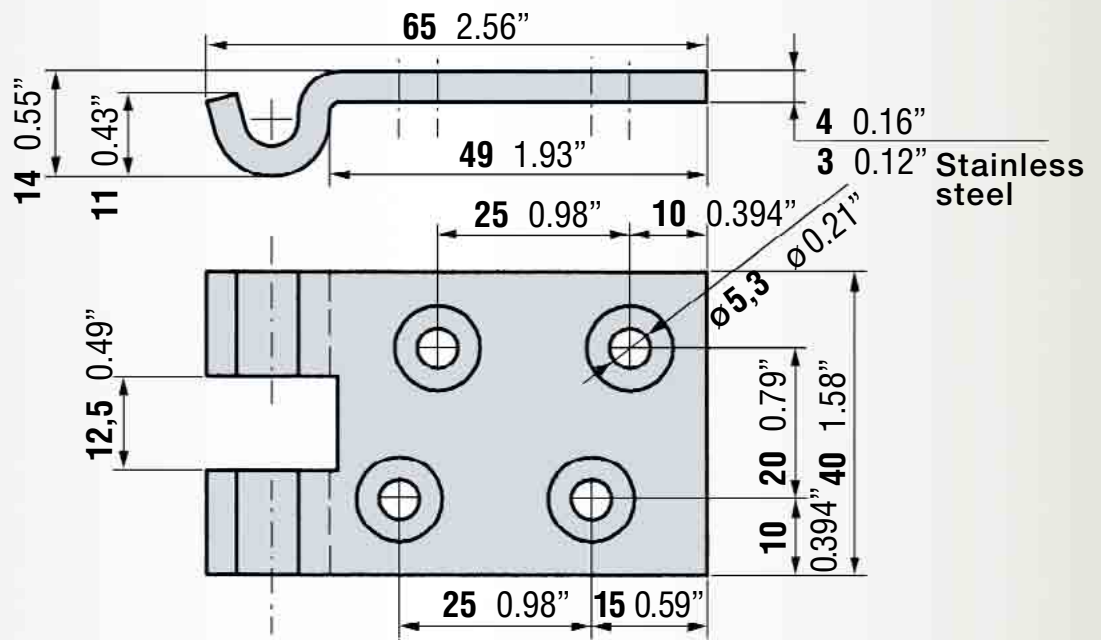
15 C



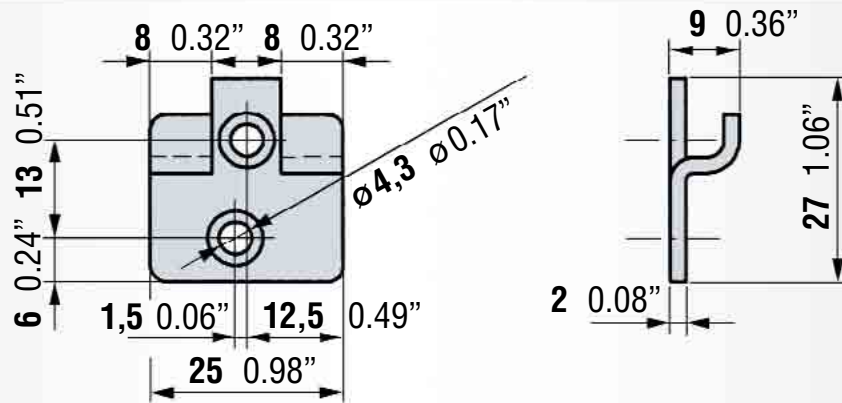
16 C



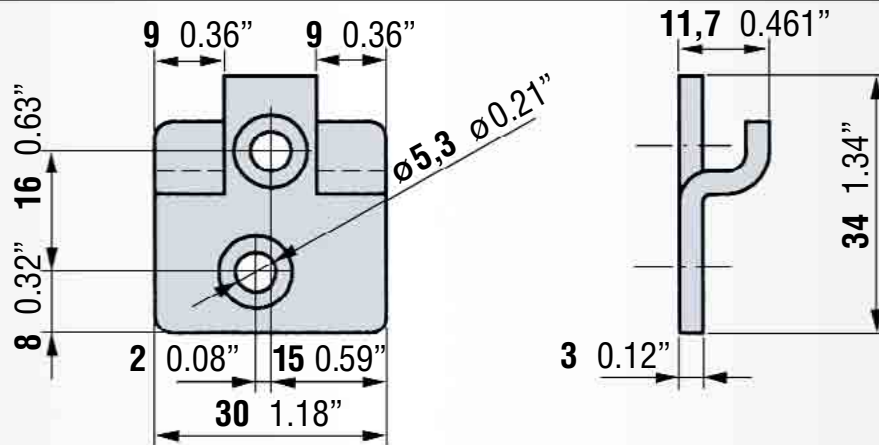
17 C



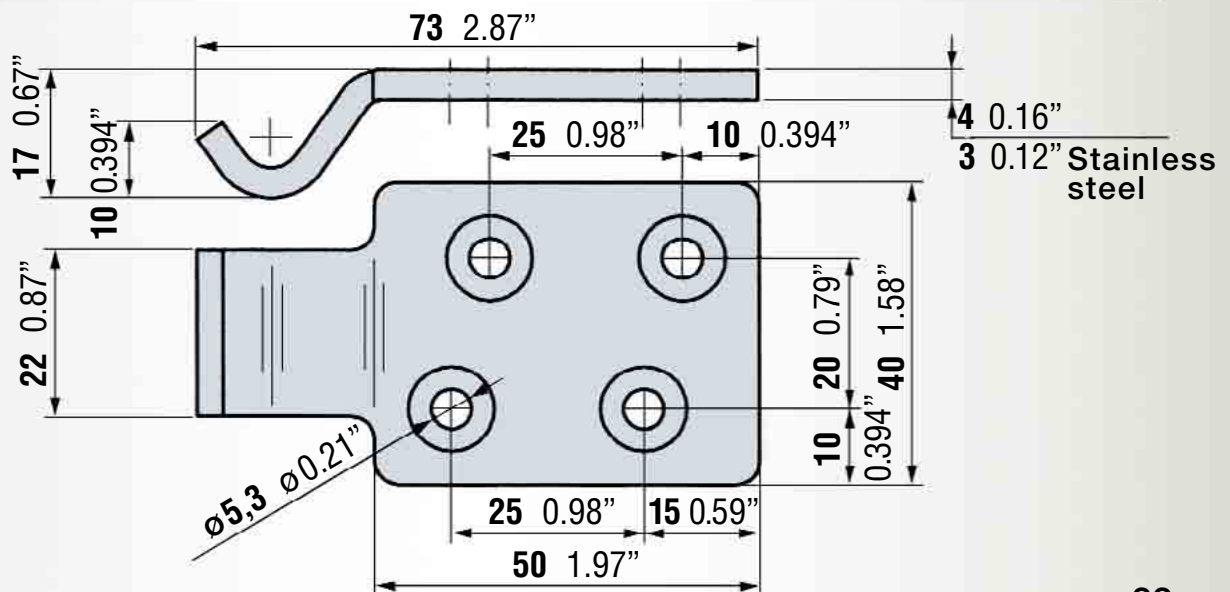
18 C



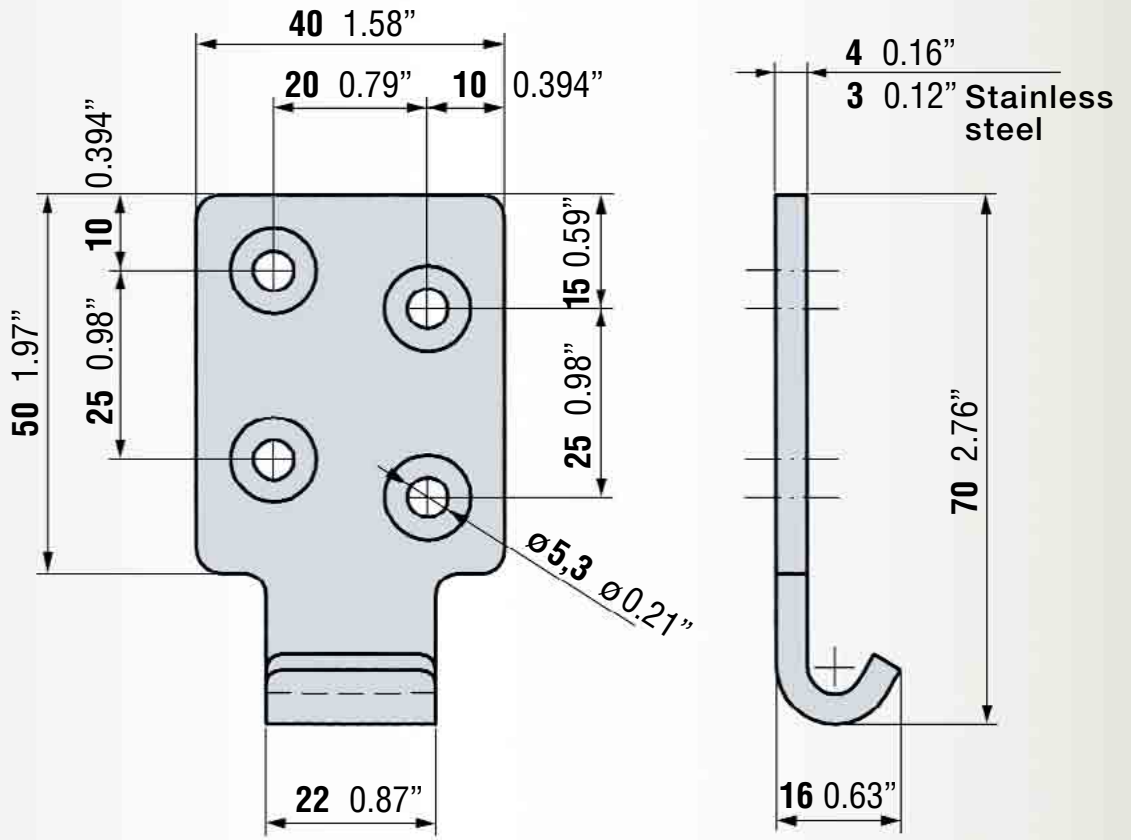
19 C



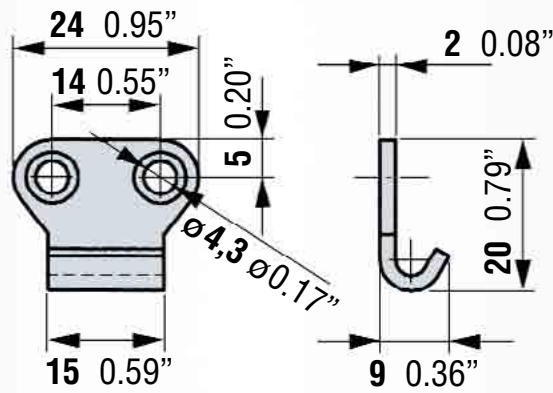
20 C



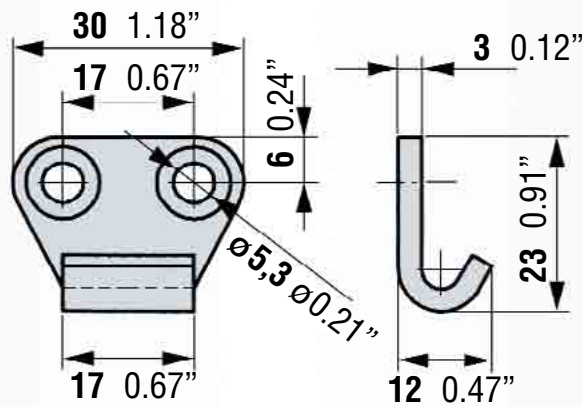
22 C



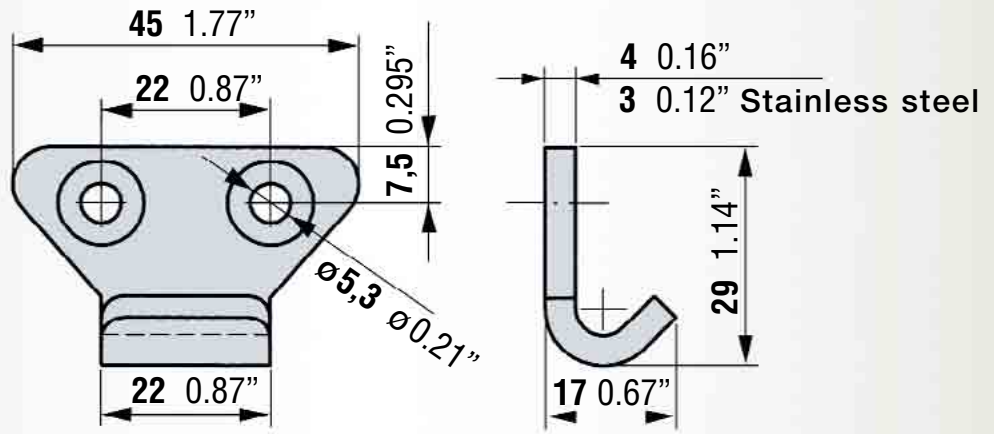
30 C



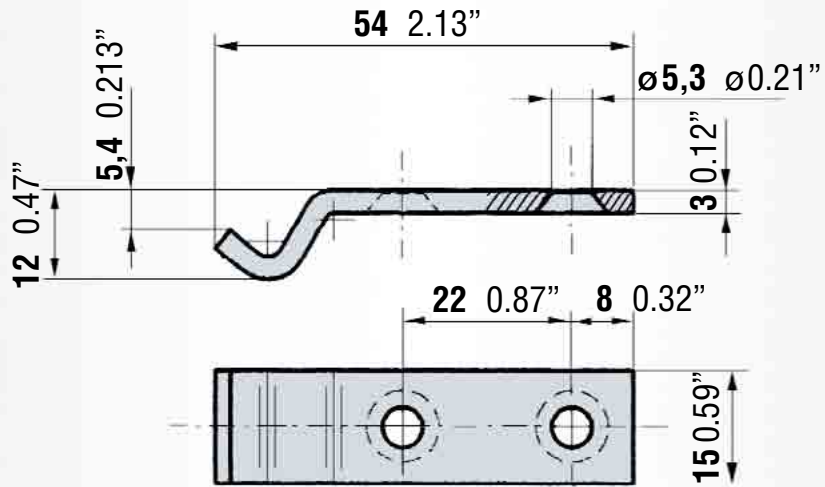
31 C



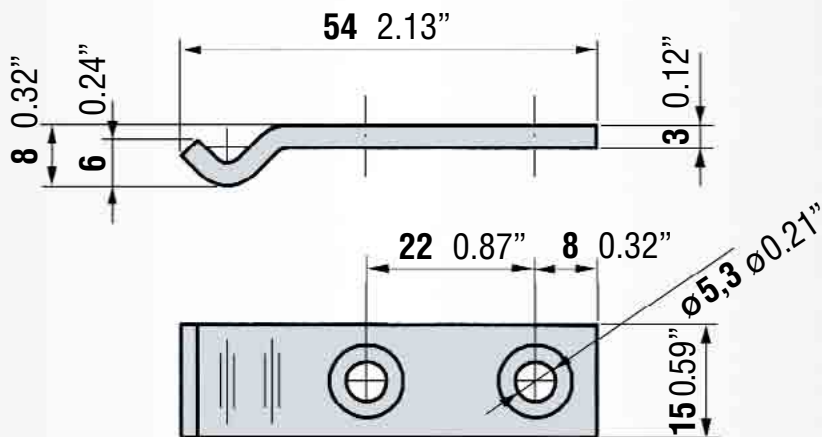
41 C



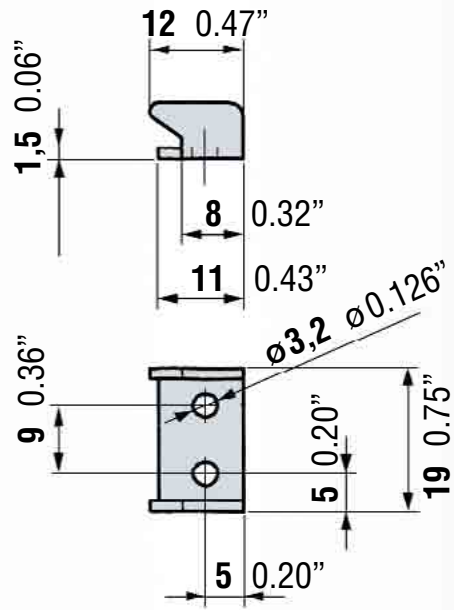
49 C



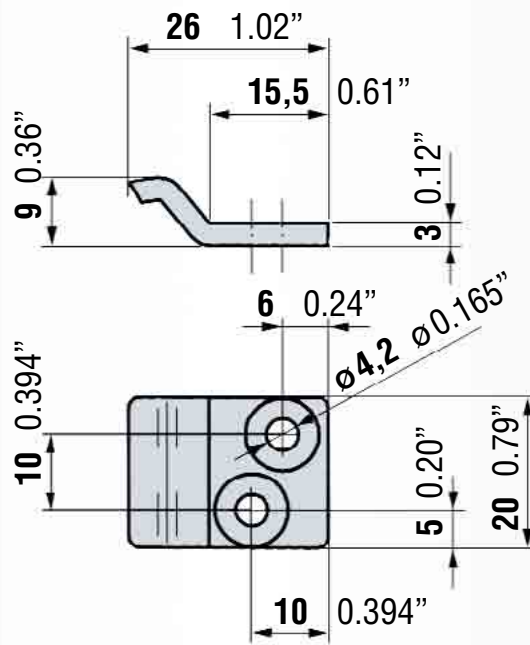
50 C



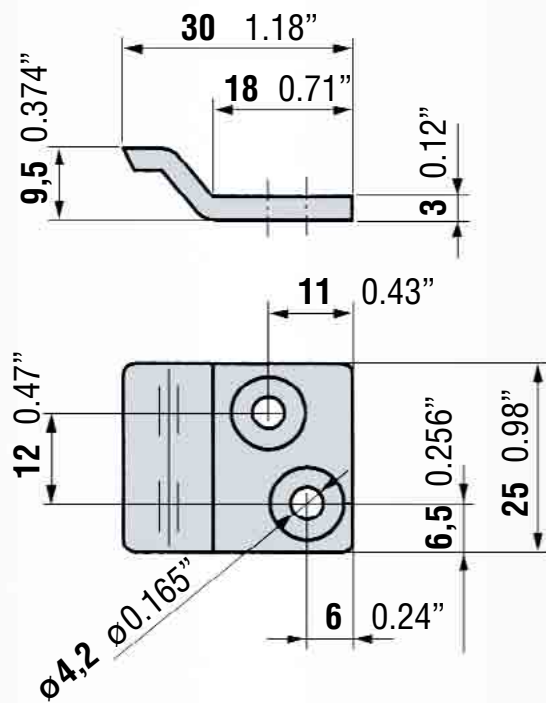
94 B



95 C



99 C



Adapted solutions



703 L/C

With special canopy hook



703 C

Clutch Lever



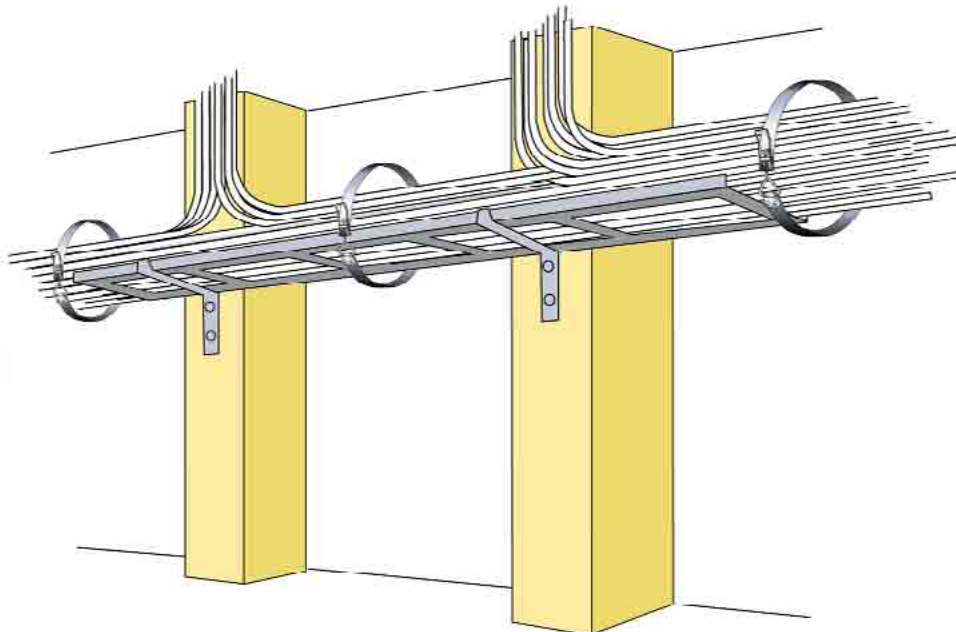
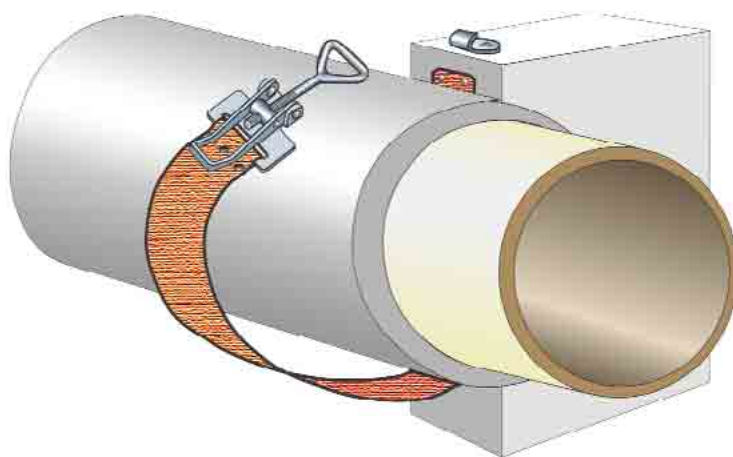
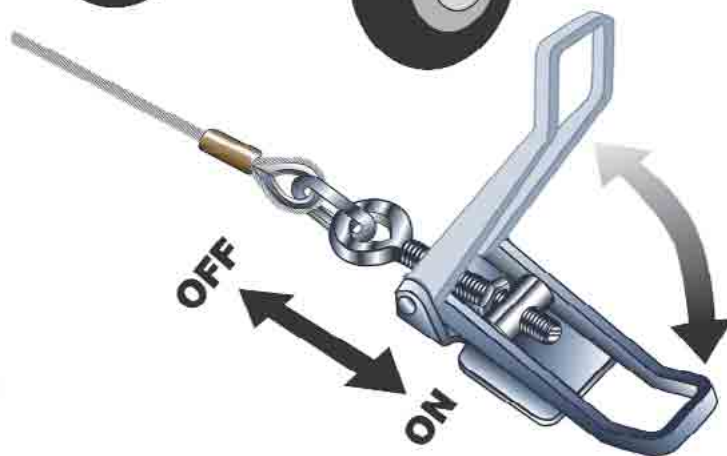
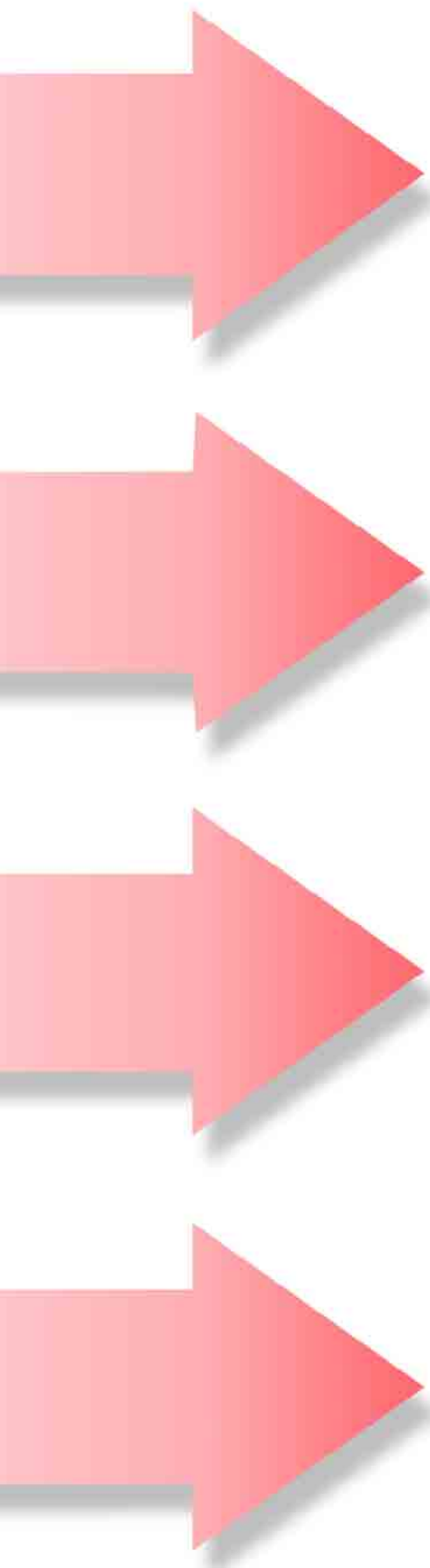
702 A

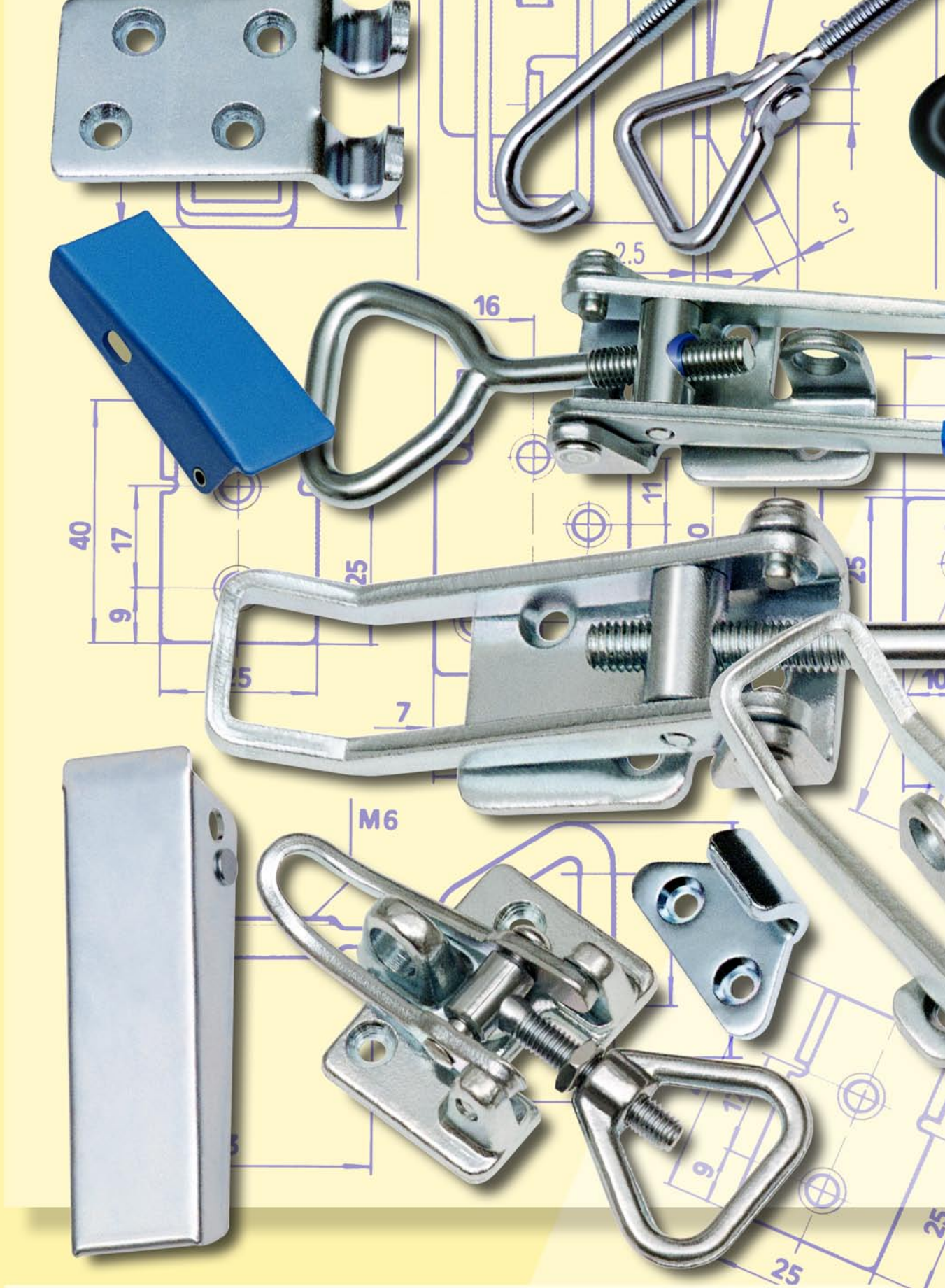
With slot for nylon band



701 S/A + 30 A

Cable ladder clip





ojop[®]
SWEDEN

OJOP SWEDEN AB

OJOP SWEDEN AB, Pressargatan 11, 632 29 ESKILSTUNA, SWEDEN

Tel: +46 16 147350 Fax: +46 16 121411

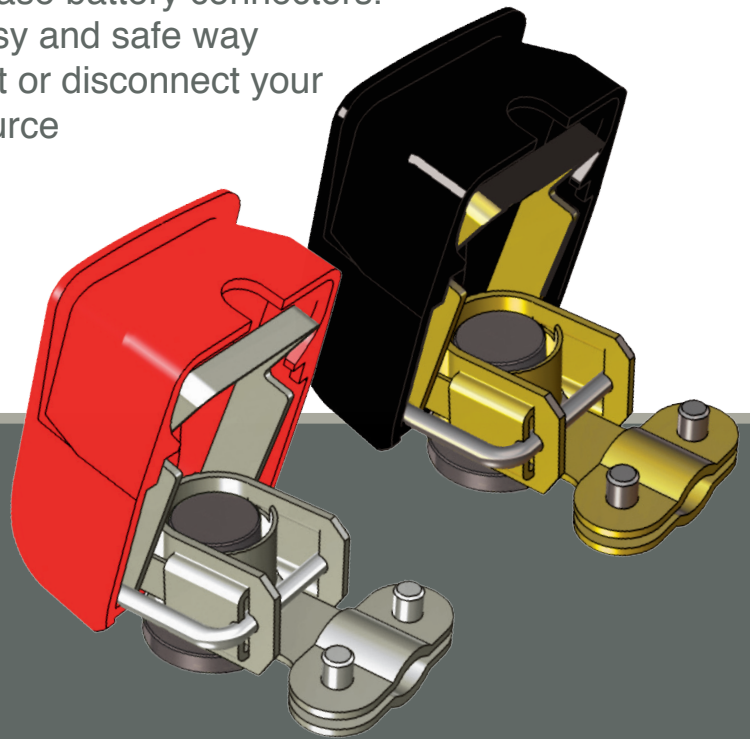
info@ojopsweden.se www.ojopsweden.se

Produced and assembled in Sweden



QUICK POWER BATTERY CONNECTORS

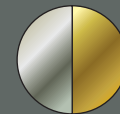
Quick Power are robust quick release battery connectors. A fast, easy and safe way to connect or disconnect your power source



APPLICATIONS



Quick Power battery connectors fits SAE or DIN standard starter batteries or vehicle batteries. Connectors can be used for cars, trucks, buses, boats, caravans, motor homes and special applications such as solar cells, mobile generator sets, electric vehicles, construction or laboratory equipment.



Quick Power 12 μ m tin-plated brass for Marine or more demanding environments

Quick Power in solid brass for utility use



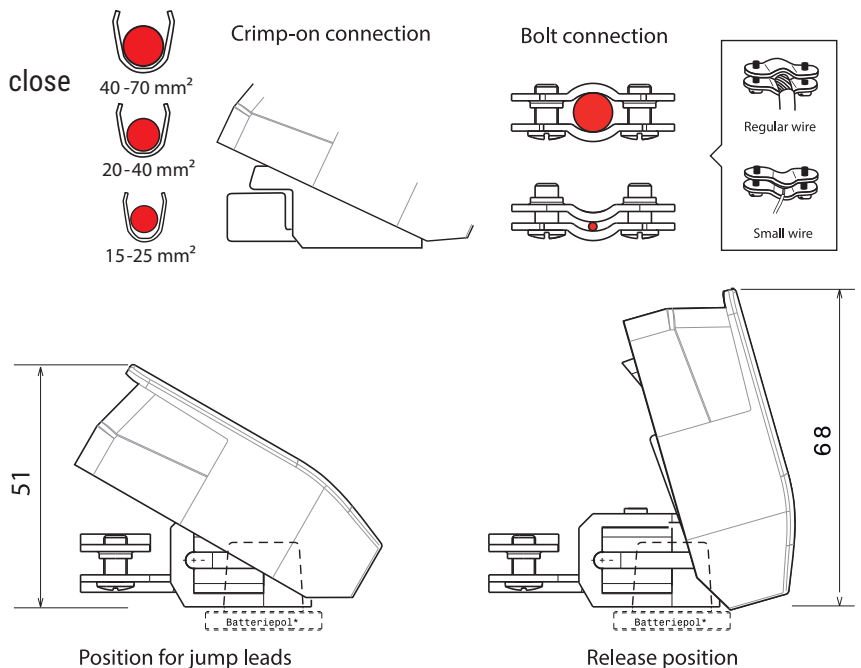
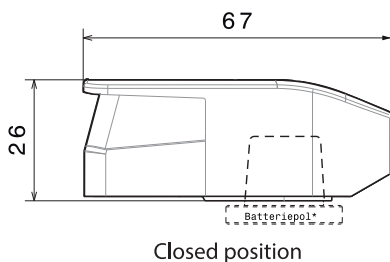
Quick Power are robust quick release battery connectors.

PRODUCT BENEFITS

- The battery can be connected or disconnected in a few seconds, while connectors durability are equivalent to those designed for permanent connection.
- No tools are needed.
- The design is ideal for tight confined spaces where installation can be challenging.
- Connectors plastic covers eliminate risk of electric shock and protect battery poles.
- Corrosion-resistant materials.
- Connectors designed to accomodate jump cables while connected to the battery.
- Quick Power can also serve as safe and reliable master switches, providing additional security.

CONNECTION AND JUMPING INSTRUCTIONS

Lift cover completely to disconnect power and close completely to connect power.
Lift cover to first position to attach jumper cables.



Quick Power battery connectors are the only products of this type on the market to be certified by TÜV. They are widely used professionally in industrail applications as well as in households for personal use.



Produced and assembled in Sweden

Material:	Stainless steel 316, polypropylene and copper alloy – on demand tin-plated 12 microns.
Net weight:	170 grams, 6 oz. per pair.
Batteries:	Fits all SAE and DIN standard batteries.
Resistance:	Approx. 0.12 $\mu\Omega$ at 10 A. Certified to be safe up to 800 A. Cable cross-section approx. 35 mm ² , bolted connector. American wire gauge no. 1 – 2.

Address: Pressargatan 11, 632 29 ESKILSTUNA, SWEDEN
Switchboard phone: +46 (0)16 14 73 50
Fax: +46 (0)16 12 14 11
info@ojopsweden.se

www.ojopsweden.se

Publisher: Ojop Sweden AB. October 2015.
This catalog is protected by copyright. Any reproduction, even partial, is permitted only with explicit permission of the publisher. Subject to technical changes.